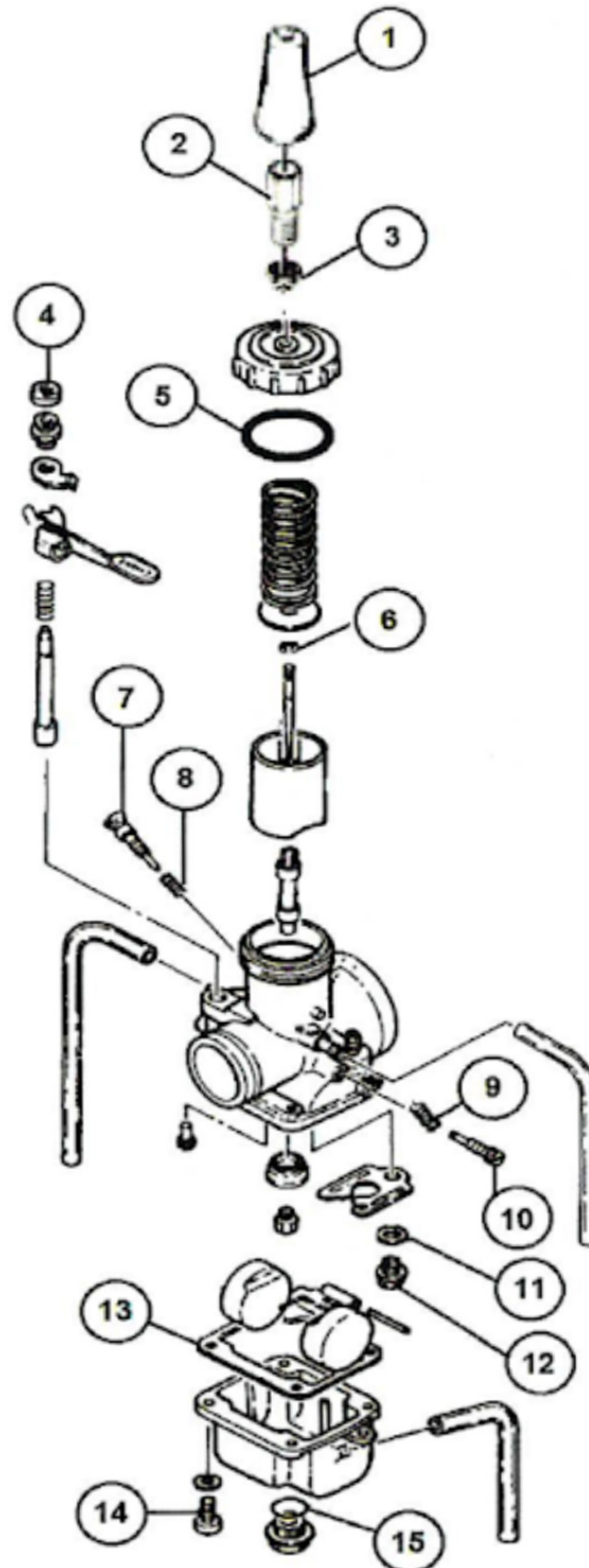


ITEM	QTY	DESCRIPTION
1	1	CAP, TOP
2	1	ADJUSTER
3	1	NUT
4	1	CAP, CHOKE TOP
5	1	GASKET, TOP CAP
6	1	E-CLIP
7	1	SCREW, AIR
8	1	SPRING, AIR
9	1	SPRING, IDLE
10	1	SCREW, IDLE
11	2	GASKET
12	1	FLOAT VALVE 3.3
13	1	GASKET, BOWL
14	4	SCREW BOWL
15	1	O-RING

MK-VM36-38

Mikuni Carburetor Application:
Mikuni VM36-4
Mikuni VM38-9



**REPLACEMENT JET NOTE

Due to varying model requirements, this kit does not include main jets or pilot jets. If needed, refer to the following Mikuni Part numbers when acquiring these jets:

Main Jet: 4/042-XXXX

Pilot Jet: VM22/210-XXXX