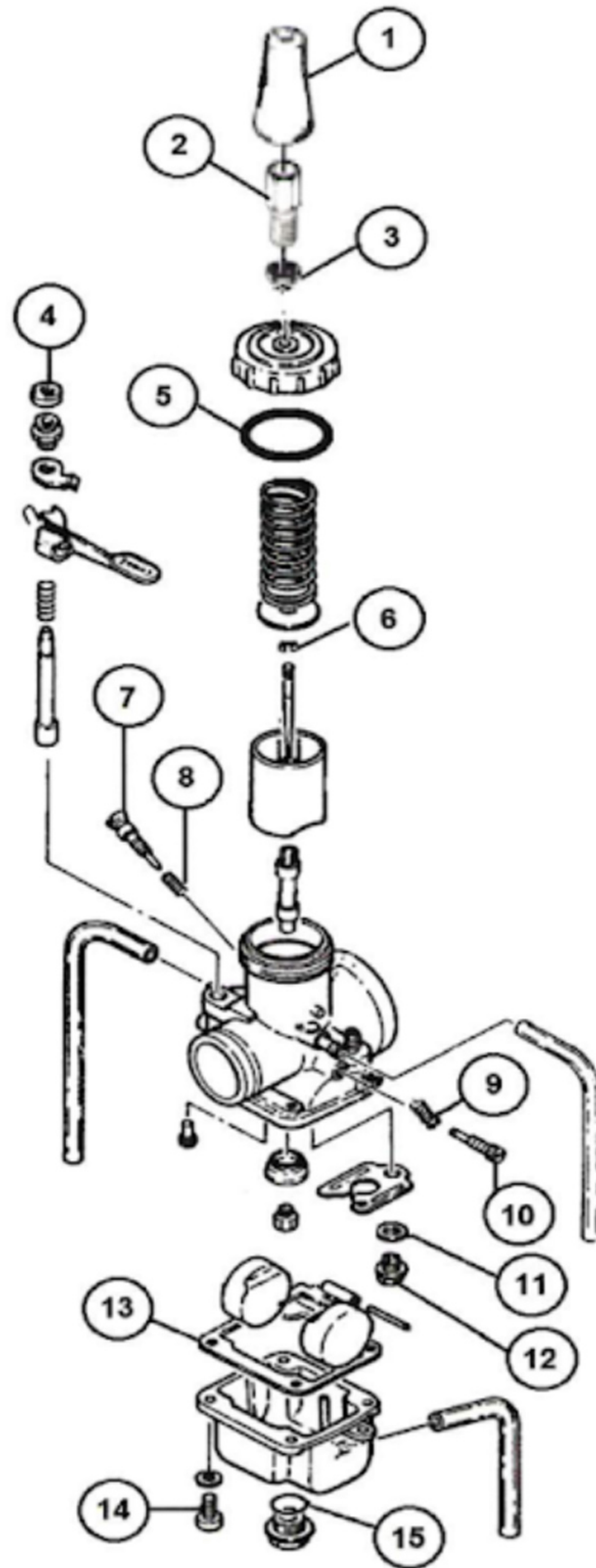


ITEM	QTY	DESCRIPTION
1	1	CAP, TOP
2	1	ADJUSTER
3	1	NUT
4	1	CAP, CHOKE TOP
5	1	GASKET, TOP CAP
6	1	E-CLIP
7	1	SCREW, AIR
8	1	SPRING, AIR
9	1	SPRING, IDLE
10	1	SCREW, IDLE
11	2	GASKET
12	1	FLOAT VALVE 3.3
13	1	GASKET, BOWL
14	4	SCREW BOWL
15	1	O-RING

MK-VM30-83

Application:
Mikuni VM30-83 Carburetor



****REPLACEMENT JET NOTE**

Due to varying model requirements, this kit does not include main jets or pilot jets. If needed, refer to the following Mikuni Part numbers when acquiring these jets:

Main Jet: 4/042-XXXX

Pilot Jet: VM22/210-XXXX