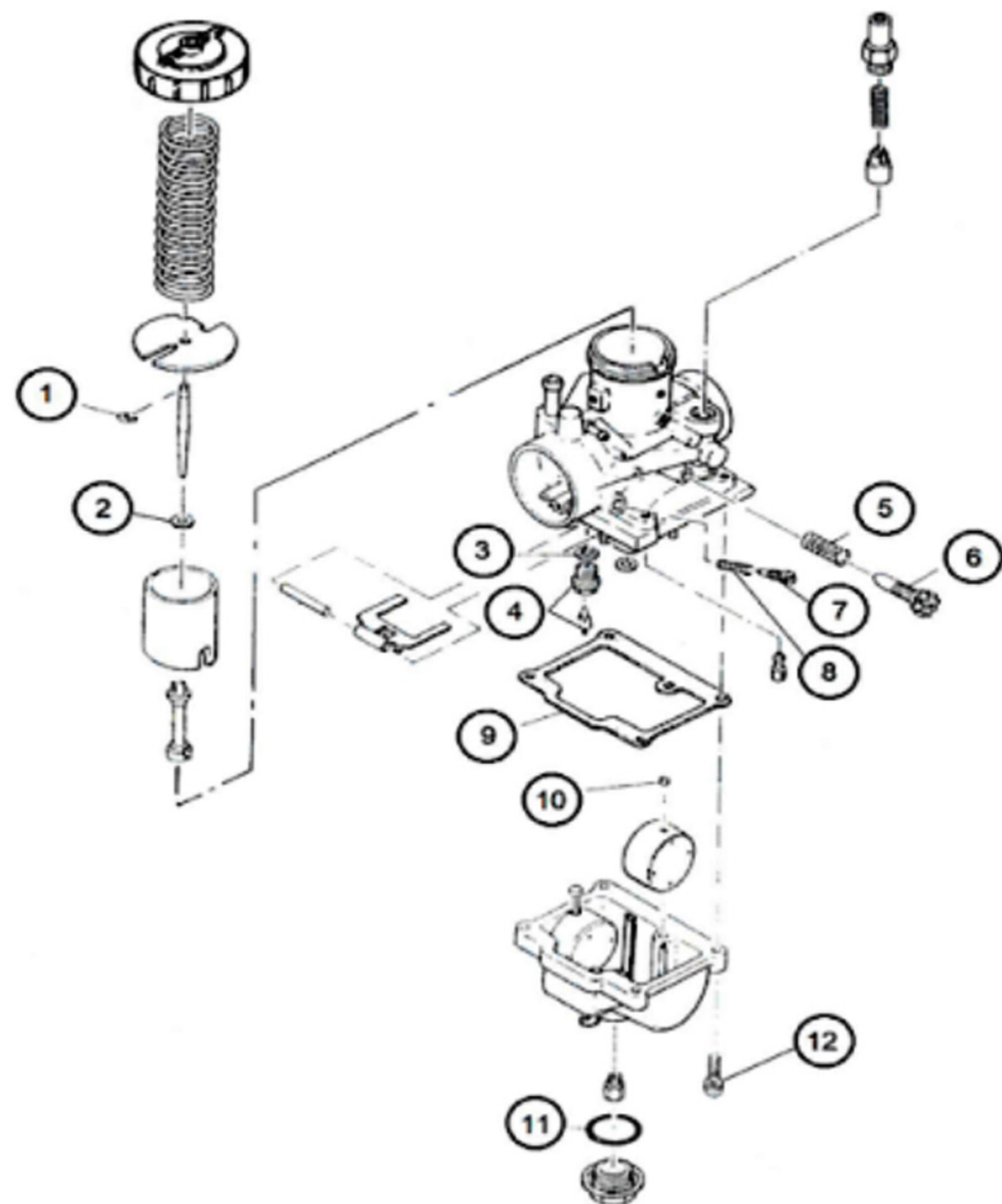


ITEM	QTY	DESCRIPTION
1	1	E-CLIP
2	1	WASHER
3	1	PACKING
4	1	FLOAT VALVE 2.5
5	1	SPRING
6	1	SCREW, IDLE
7	1	SCREW, AIR
8	1	SPRING
9	1	GASKT, BOWL
10	2	CAP
11	4	SCREW, BOWL
12	1	O-RING

MK-VM30-8162

POLARIS APPLICATIONS:
1986 Scrambler 250
1986-1999 Trail Boss 250
1989-1992 Big Boss 250
1990-1999 Trail Blazer 250
1998-1999 Explorer 300
1998-1999 Xpress 300
1994-1995 300 2X4
1994 300 6X6
1990-1992 Trail Boss 350 L
1993 350L 2x4, 4x4, 6x6



****REPLACEMENT JET NOTE**

Due to varying model requirements, this kit does not include main jets or pilot jets. If needed, refer to the following Mikuni Part numbers when acquiring these jets:

Main Jet: 4/042-XXXX

Pilot Jet: VM22/210-XXXX