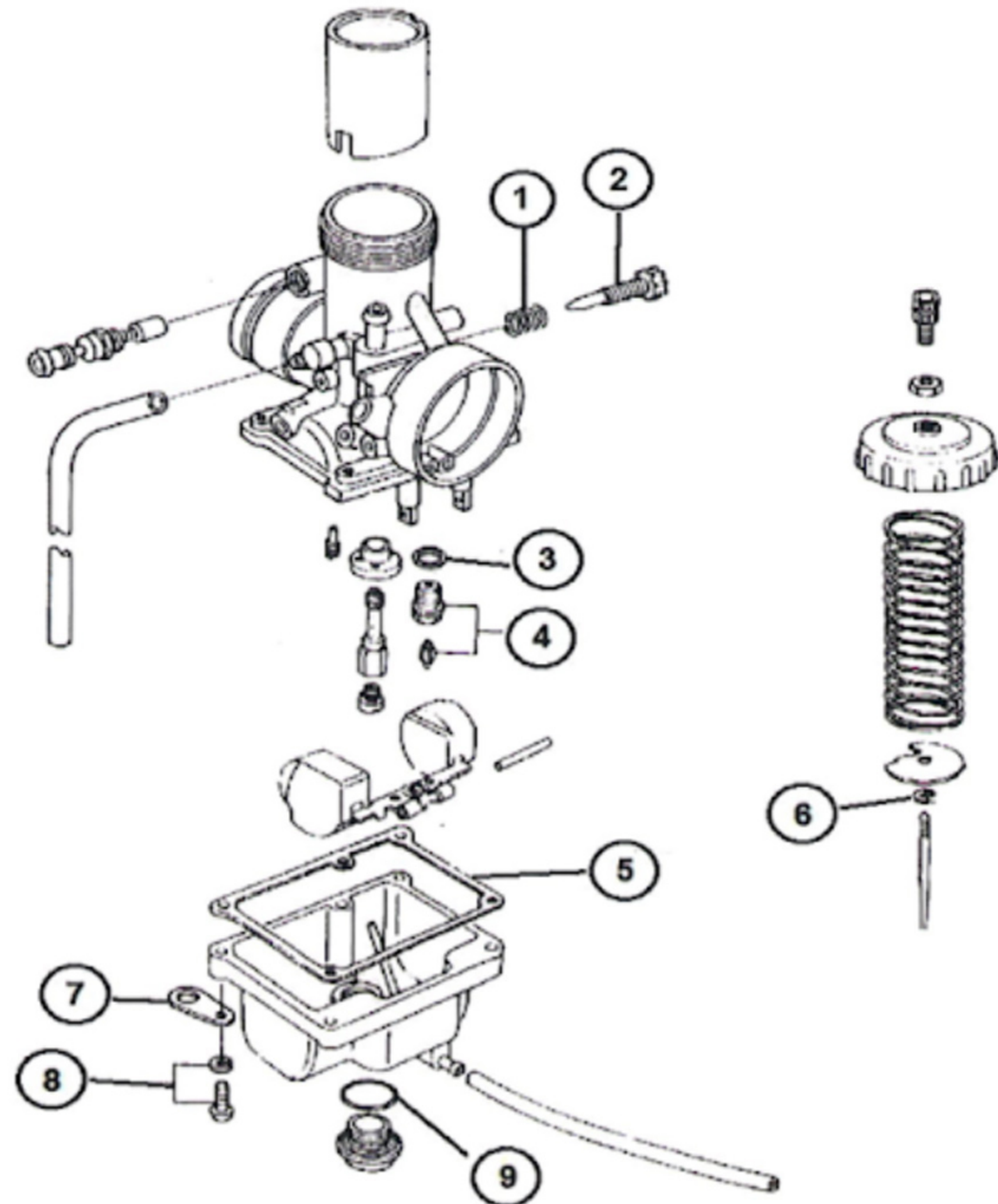


ITEM	QTY	PART NUMBER	DESCRIPTION
1	1	M20/11	SPRING
2	1	603-26002	SCREW, IDLE
3	1	VM26/25	WASHER
4	1	VM26/26-2.5	FLOAT VALVE
5	1	VM20/492	GASKET, BOWL
6	1	VM20/369	E-CLIP
7	1	VM15/164	PLATE, VENT HOSE
8	4	CW2=0416	SCREW, BOWL
9	1	BN042/64	O-RING BOWL NUT

**MK-VM24-431**

Kawasaki Applications:  
1988-2003 KX60  
Suzuki applications:  
2003 RM60



**\*\*REPLACEMENT JET NOTE**

Due to varying model requirements, this kit does not include main jets or pilot jets. If needed, refer to the following Mikuni Part numbers when acquiring these jets:

Main Jet: 4/042-XXXX

Pilot Jet: M28/1001-XXXX