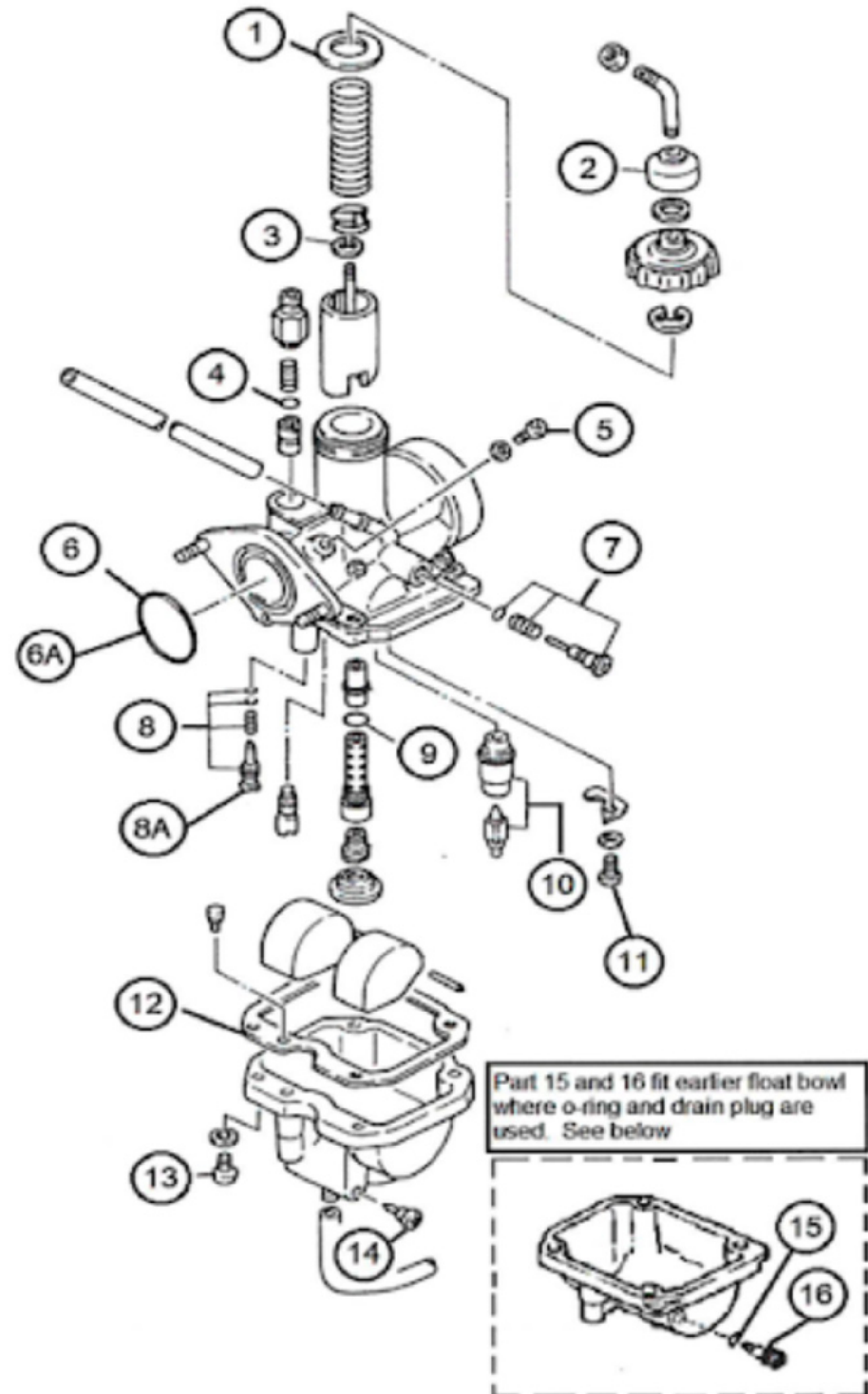
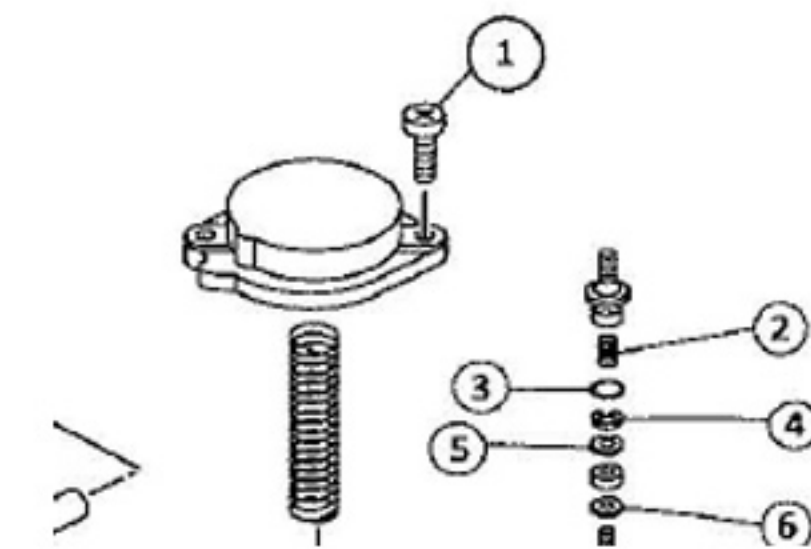


ITEM	QTY	DESCRIPTION
1	1	GASKET
2	1	CAP
3	1	E-CLIP
4	1	O-RING, CHOKE
5	1	SCREW
6	1	O-RING
6A	1	O-RING
7	1	IDLE SCREW ASSY
8	1	FUEL SCREW ASSY
8A	1	FUEL SCREW
9	1	O-RING, NEEDLE VALVE
10	1	FLOAT VALVE ASSY 1.8
11	1	SCREW
12	1	GASKET, BOWL
13	4	SCREW
14	1	DRAIN PLUG
15	1	O-RING
16	1	DRAIN PLUG

MK-VM18-319

Yamaha ATV Applications:

- 2004-2013 Grizzly 125
- 1989-2004 Breeze 125
- 1992-2000 Timberwolf 250 ATV
- 1986-1988 Moto-4 225 ATV
- 1985-1989 Moto-4 200
- 1983 YTM225
- 1983-1985 Tri-Moto 225
- 1989-1991 Moto-4 250
- 1983-1985 YTM200
- 1983-1984 Tri-Moto 200
- 1989-Pro Hauler 230



NOTE:

This rebuild kit includes extra parts for multiple applications. Please compare and replace parts for your specific application.

**REPLACEMENT JET NOTE

Due to varying model requirements, this kit does not include main or pilot jets

If needed, refer to the following Mikuni Part numbers when acquiring these jets:

Main Jet: N100604-XXXX