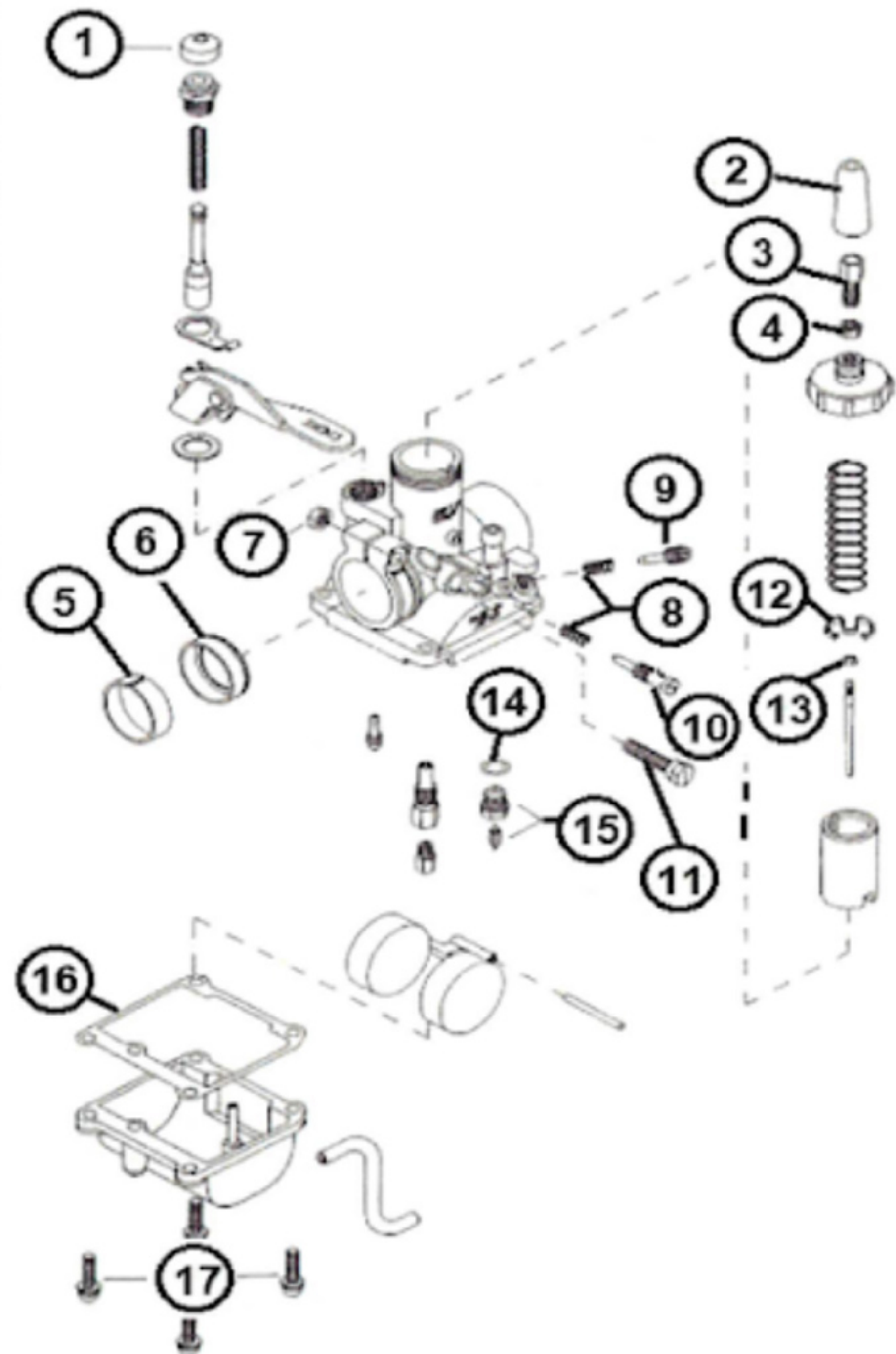


ITEM	QTY	DESCRIPTION
1	1	CAP, CHOKE
2	1	CAP, TOP
3	1	ADJUSTER
4	1	NUT
5	1	RING, INSULATOR
6	1	SEALING RING, RUBBER
7	1	NUT
8	2	SPRING
9	1	SCREW, AIR
10	1	SCREW, IDLE
11	1	BOLT, CLAMP
12	1	CLIP, JET RETAINER
13	1	E-CLIP
14	1	WASHER
15	1	FLOAT VALVE ASSY 1.5
16	1	GASKET, BOWL
17	4	SCREW, BOWL

MK-VM18-144

Mikuni VM18-144 Carburetor
1997-2000 KTM 50 SXR Pro Jr
2001 KTM 50 SX Jr



****REPLACEMENT JET NOTE**

Due to varying model requirements, this kit does not include main jets or pilot jets. If needed, refer to the following Mikuni Part numbers when acquiring these jets:

Main Jet: 4/042-XXXX

Pilot Jet: VM22/210-XXXX