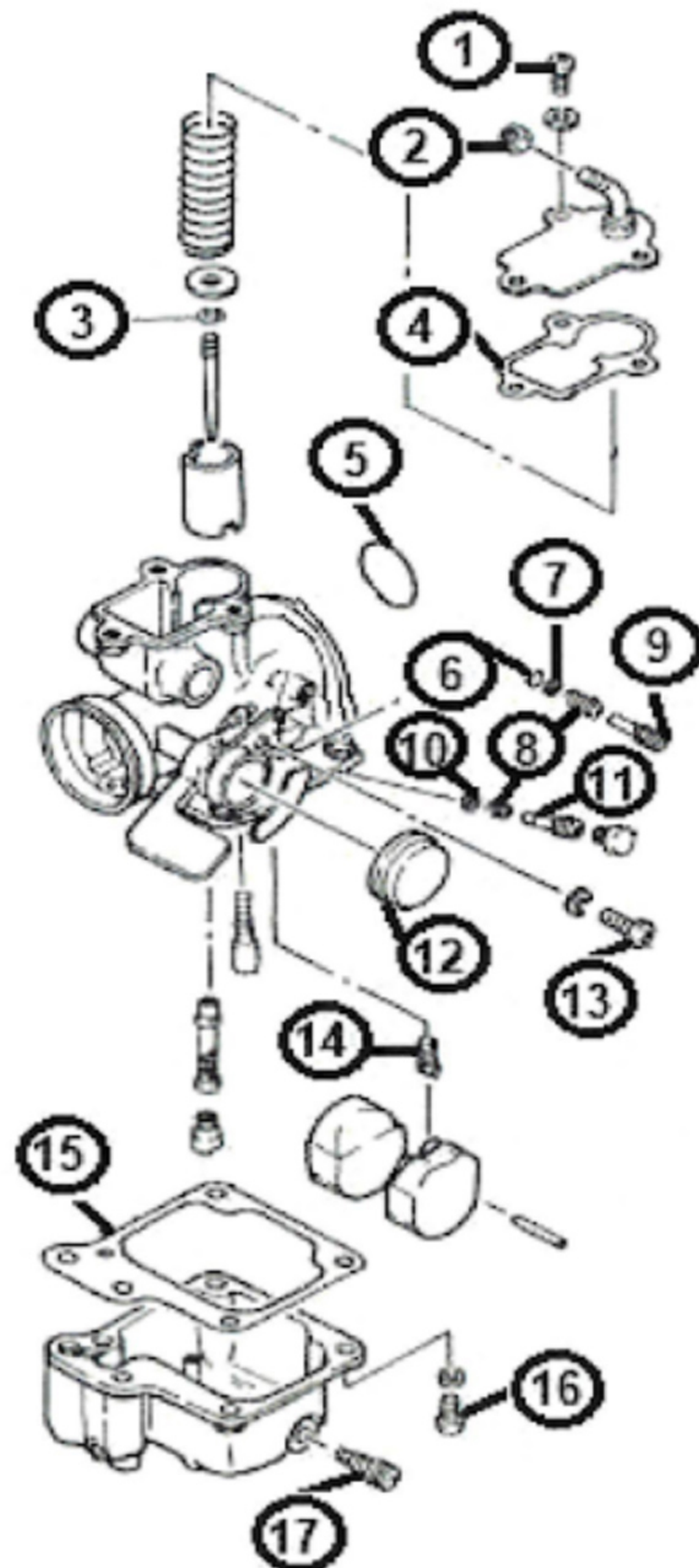


| ITEM | QTY | DESCRIPTION |
|------|-----|--------------------|
| 1 | 3 | SCREW, TOP |
| 2 | 1 | NUT |
| 3 | 1 | GASKET, TOP CAP |
| 4 | 1 | E-CLIP |
| 5 | 1 | O-RING |
| 6 | 1 | O-RING, IDLE SCREW |
| 7 | 1 | WASHER, IDLE SCREW |
| 8 | 2 | SPRING |
| 9 | 1 | SCREW, IDLE ADJUST |
| 10 | 1 | WASHER, AIR |
| 11 | 1 | SCREW, AIR |
| 12 | 1 | CAP |
| 13 | 1 | SCREW |
| 14 | 1 | FLOAT NEEDLE |
| 15 | 1 | BOWL GASKET |
| 16 | 4 | BOWL SCREW |
| 17 | 1 | SCREW, DRAIN |

MK-VM16-459

1985-2001 Yamaha Badger 80 ATV
 1987-1991 Yamaha Champ 100 AYV
 2004-2008 Yamaha Raptor 50 ATV
 2002-2008 Yamaha Raptor 80 ATV
 2005-2008 Grizzly 80 ATV



****REPLACEMENT JET NOTE**

Due to varying model requirements, this kit does not include main jets or pilot jets. If needed, refer to the following Mikuni Part numbers when acquiring these jets:
 Main Jet: VM11/22-XXXX