

## **Mikuni MK-TM40SM-2 Ski-Doo Snowmobile Carburetor Rebuild Kit Applications**

---

### **Mikuni MK-TM40SM-2 Ski-Doo Carburetor Rebuild Kit Applications**

Ski-Doo 2017 SUMMIT - 2-STROKE - 600 CARB Carburetor - 600 CARB

Ski-Doo 2017 RENEGADE - 2-STROKE - 600 CARB Carburetor - 600 CARB

Ski-Doo 2017 MXZ - 2-STROKE - 600 CARB Carburetor - 600 CARB

Ski-Doo 2016 SUMMIT 600 CARB 02- Carburetor - 600 CARB

Ski-Doo 2016 RENEGADE 600 CARB Carburetor - 600 CARB

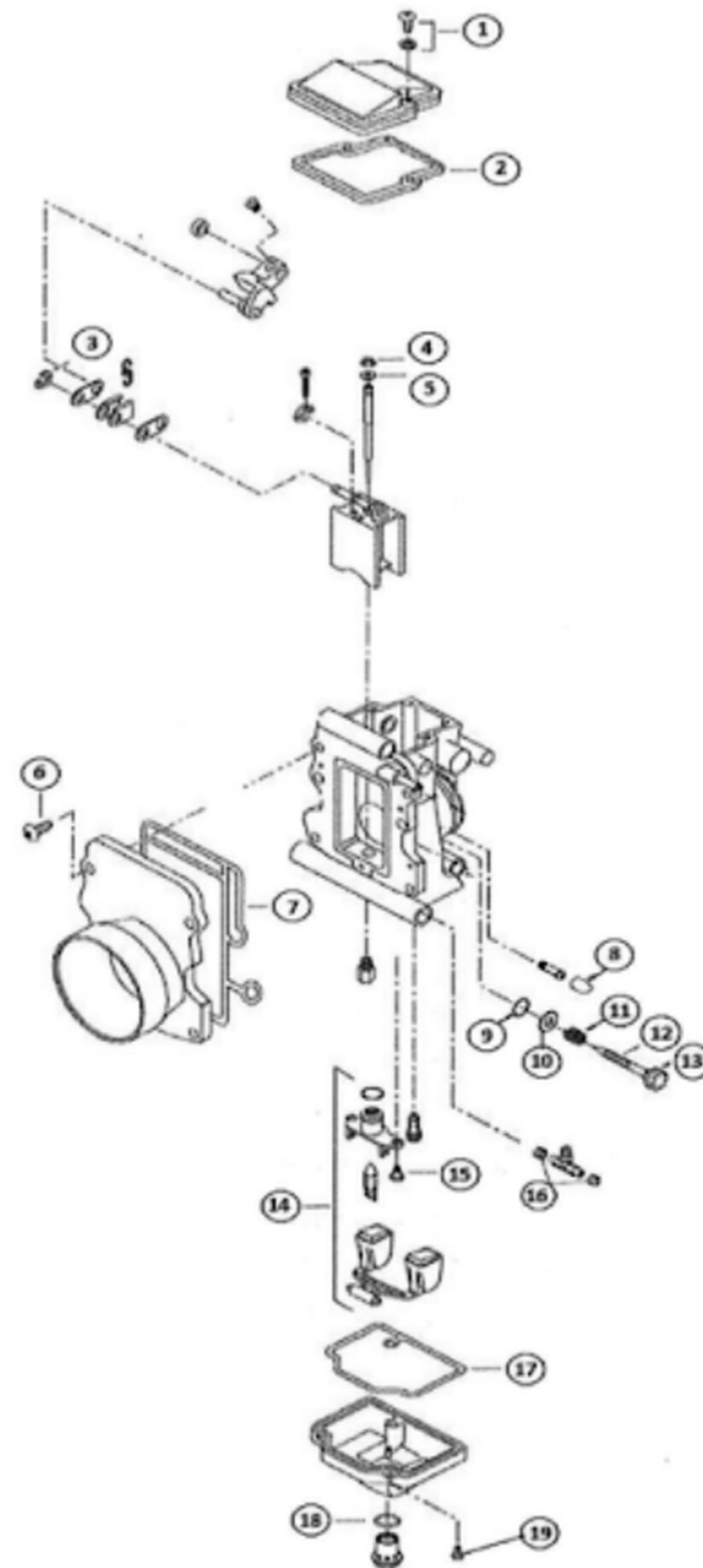
Ski-Doo 2016 MXZ 600 CARB Carburetor - 600 CARB

ITEM	QTY	DESCRIPTION
1	2	TOP CAP SCREWS
2	1	TOP CAP GASKET
3	2	E-RING
4	1	E-RING
5	1	PACKING
6	4	SCREW, BODY
7	1	O-RING, BODY
8	1	PLUG
9	1	PACKING
10	1	WASHER
11	1	SPRING
12	1	IDLE SCREW
13	1	CAP, IDLE SCREW
14	1	FLOAT /NEEDLE SET (1.5)
15	2	SCREW, FLOAT SET
16	2	SEAL, NIPPLE
17	1	BOWL GSKT
17A	1	BOWL GSKT
18	1	BOWL O-RING
19	1	BOWL SCREW

**MK-TM40SM-2**

**Application:**

**Ski Doo OEM Mikuni TM40 Snowmobile Carburetor with 1.5 float valve**



**\*\*REPLACEMENT JET NOTE**

Due to varying model requirements,  
This kit does not include main jets or pilot jets  
If needed, refer to the Mikuni Part Numbers  
when acquiring these jets:  
Main Jet: 4/042-XXXX  
Pilot Jet: VM22/210-XXXX

This kit may contain extra parts intended for other carburetors within this group. Substitute identical replacement parts for original worn parts found in carburetor.