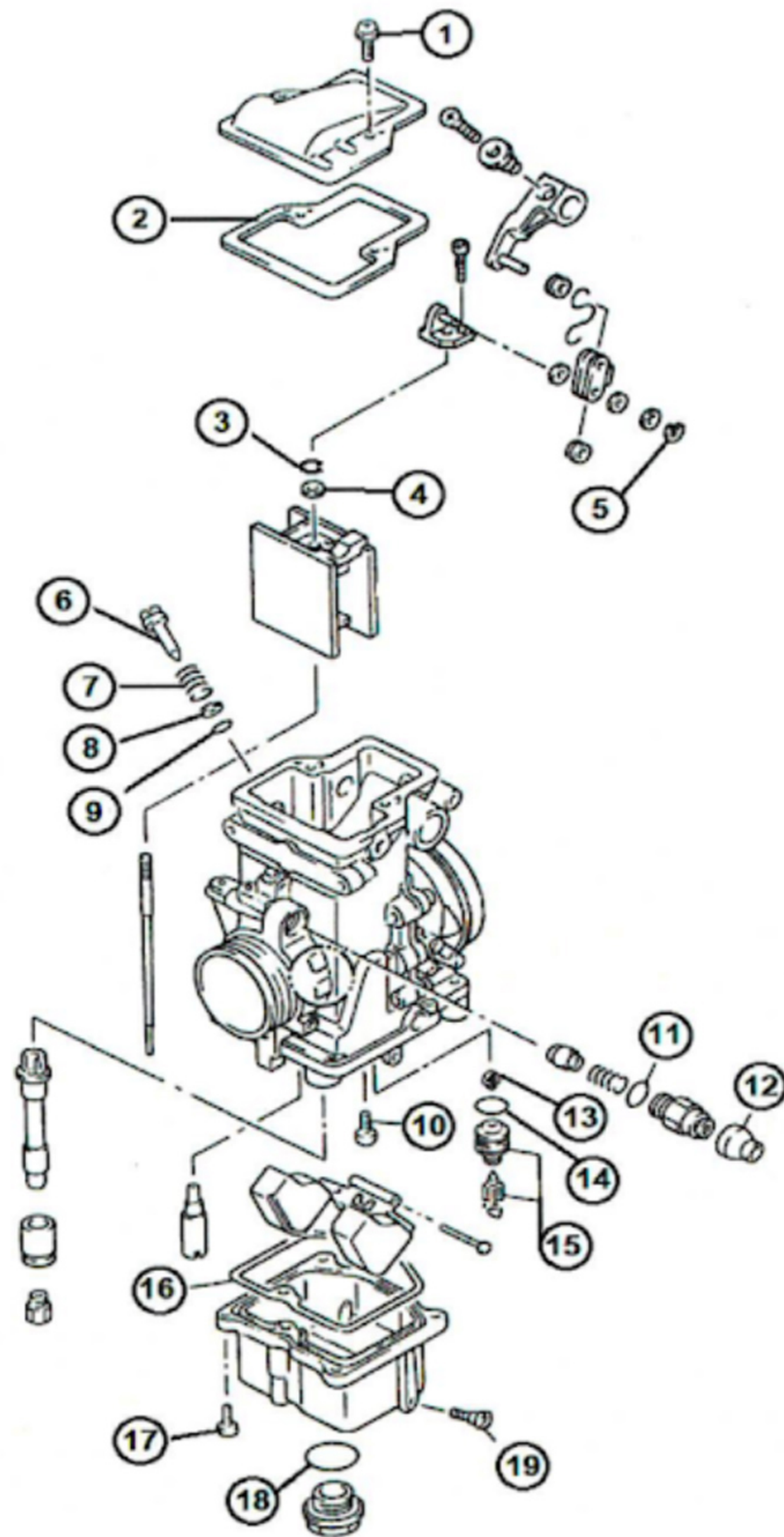


ITEM	QTY	DESCRIPTION
1	2	SCREW, TOP CAP
2	1	GASKET, TOP
3	1	E-CLIP
4	1	WASHER
5	1	E-CLIP
6	1	AIR SCREW
7	1	SPRING
8	1	WASHER
9	1	O-RING
10	1	SCREW
11	1	O-RING
12	1	CAP
13	1	FILTER
14	1	O-RING
15	1	FLOAT VALVE 1.5
16	1	GASKET, BOWL
17	4	SCREW, BOWL
18	1	O-RING
19	1	DRAIN PLUG

MK-TM38-B103SM



YAMAHA SNOWMOBILE APPLICATIONS:

- 1994-VMAX 600
- 1994 VMAX 600 DX,ST
- 1994-1996 VMAX 500 DX
- 1994-1996 VMAX 500 LE
- 1994-1996 VMAX 500
- 1996 VMAX 500 XT
- 1993 EXCITER II
- 1994 VMAX 500 ST
- 1995 XV 600 V, STV, EV, DXV

**REPLACEMENT JET NOTE

Due to varying model requirements, this kit does not include main or pilot jets. If needed, refer to the following Mikuni Part numbers when acquiring these jets:
 Main Jet: N102221-XXXX
 Pilot Jet: VM28/486-XXXX