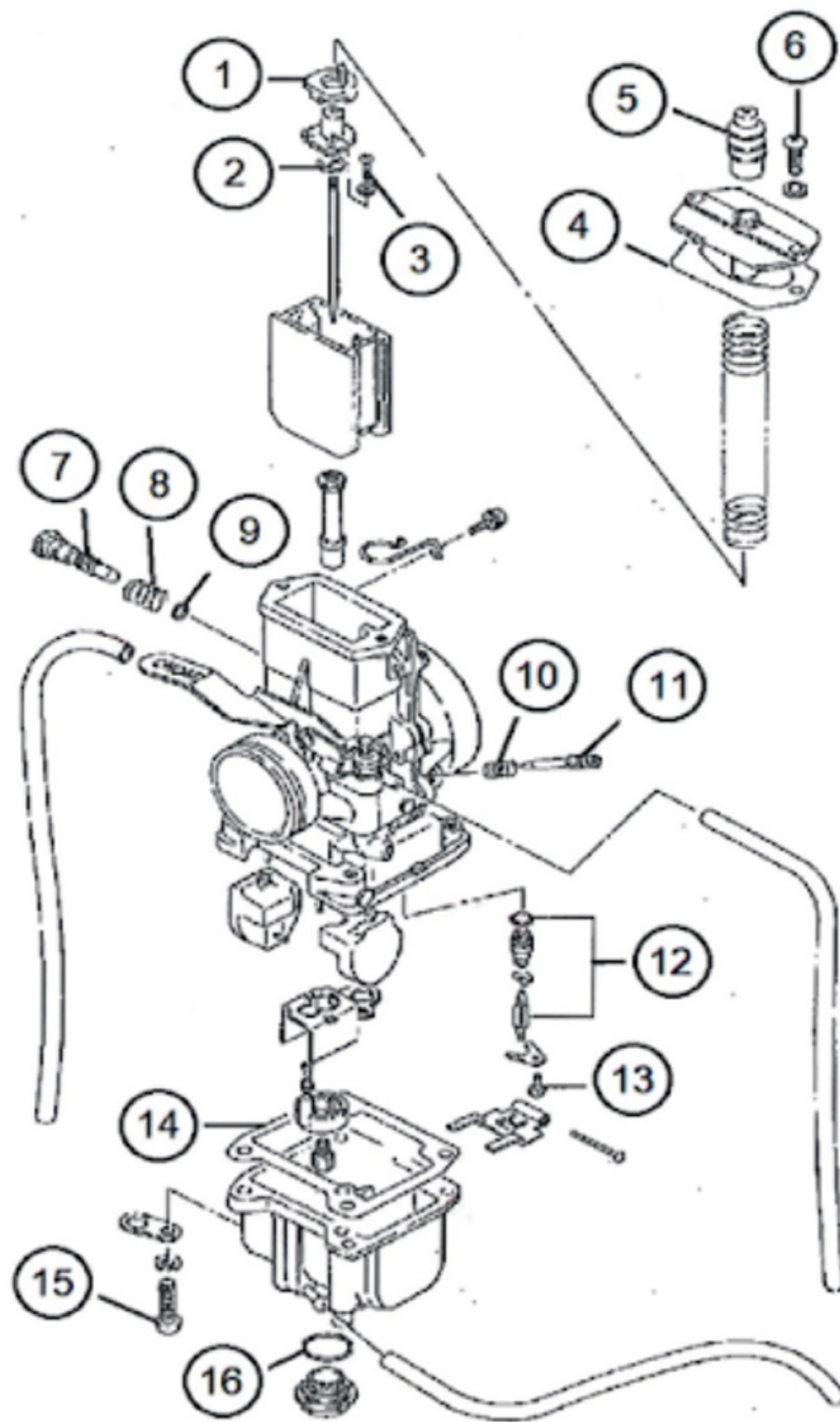


ITEM	QTY	DESCRIPTION
1	1	RING
2	1	E-CLIP
3	2	SCREW
4	1	GASKET
5	1	CAP
6	2	SCREW, TOP CAP
7	1	SCREW, IDLE
8	1	SPRING, IDLE
9	1	O-RING
10	1	SPRING, AIR SCREW
11	1	AIR SCREW
12	1	FLOAT VALVE 3.5
13	1	SCREW, FLOAT VALVE
14	1	GASKET, BOWL
15	4	SCREW, BOWL
16	1	O-RING

MK-TM38-85

Mikuni TM38-85 & TM38-86 Carburetor
1987-1990 Suzuki LT500r Quadzilla ATV



****REPLACEMENT JET NOTE**

Due to varying model requirements, this kit does not include main or pilot jets. If needed, refer to the following Mikuni Part numbers when acquiring these jets:
Main Jet: 4/042-XXXX
Pilot Jet: VM22/210-XXXX