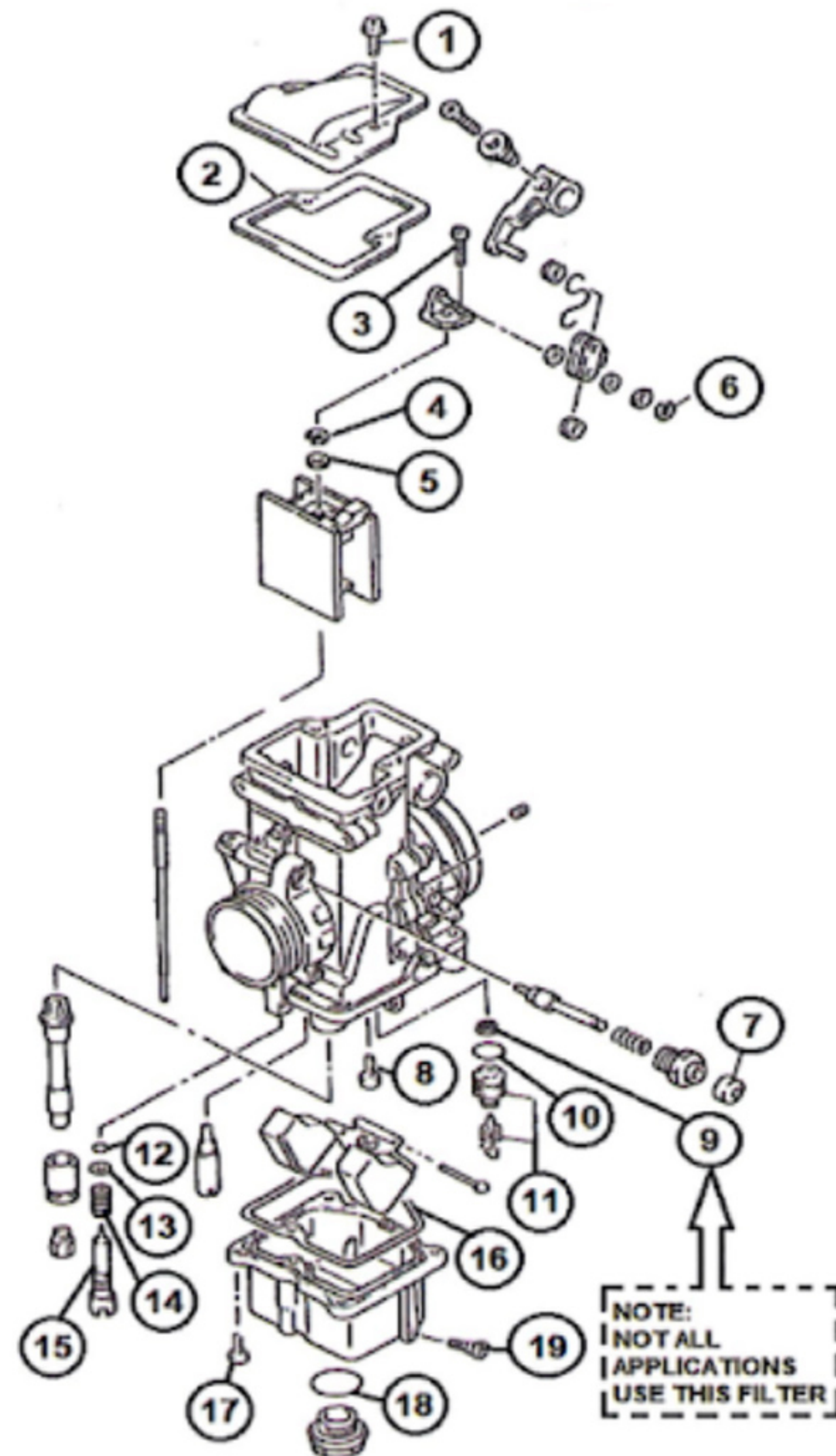


ITEM	QTY	DESCRIPTION
1	2	SCREW, TOP CAP
2	1	GASKET, TOP CAP
3	2	SCREW
4	1	E-CLIP
5	1	WASHER
6	1	E-CLIP
7	1	CAP, PLUNGER
8	1	SCREW
9	1	FILTER (SEE NOTE)
10	1	O-RING
11	1	FLOAT VALVE 1.5
12	1	O-RING
13	1	WASHER
14	1	SPRING
15	1	FUEL SCREW
16	1	GASKET, BOWL
17	4	SCREW, BOWL
18	1	O-RING
19	1	DRAIN PLUG

MK-TM36-B80SM



YAMAHA SNOWMOBILE APPLICATIONS:

- 1997-1998 VMAX 500 XT, XTC
- 1997-2001 VENTURE 500
- 1996, 1999 VMAX 600
- 1996-1998 VMAX 600 XT
- 1999-2001 VMAX 500
- 2000-2001 SX500
- 1998 VMAX 600 XTR
- 1997-1998 VMAX 600 SX
- 1999-2001 VMAX 500 DLX
- 1999 VMAX 500 SX
- 1997-1998 VMAX 600 XTC
- 1996 VMAX 600 DX
- 1996-1999 VMAX 600 MOUNTAIN MAX
- 1998 VMAX 600 SXS
- 1994, 1996 VMAX 600 LE
- 1997-1998 VENTURE 600
- 1997-1998 MOUNTAIN MAX 700
- 1997 MOUNTAIN MAX 700 SX

**REPLACEMENT JET NOTE

Due to varying model requirements, this kit does not include main or pilot jets. If needed, refer to the following Mikuni Part numbers when acquiring these jets:
 Main Jet: N102221-XXXX
 Pilot Jet: VM28/486-XXXX