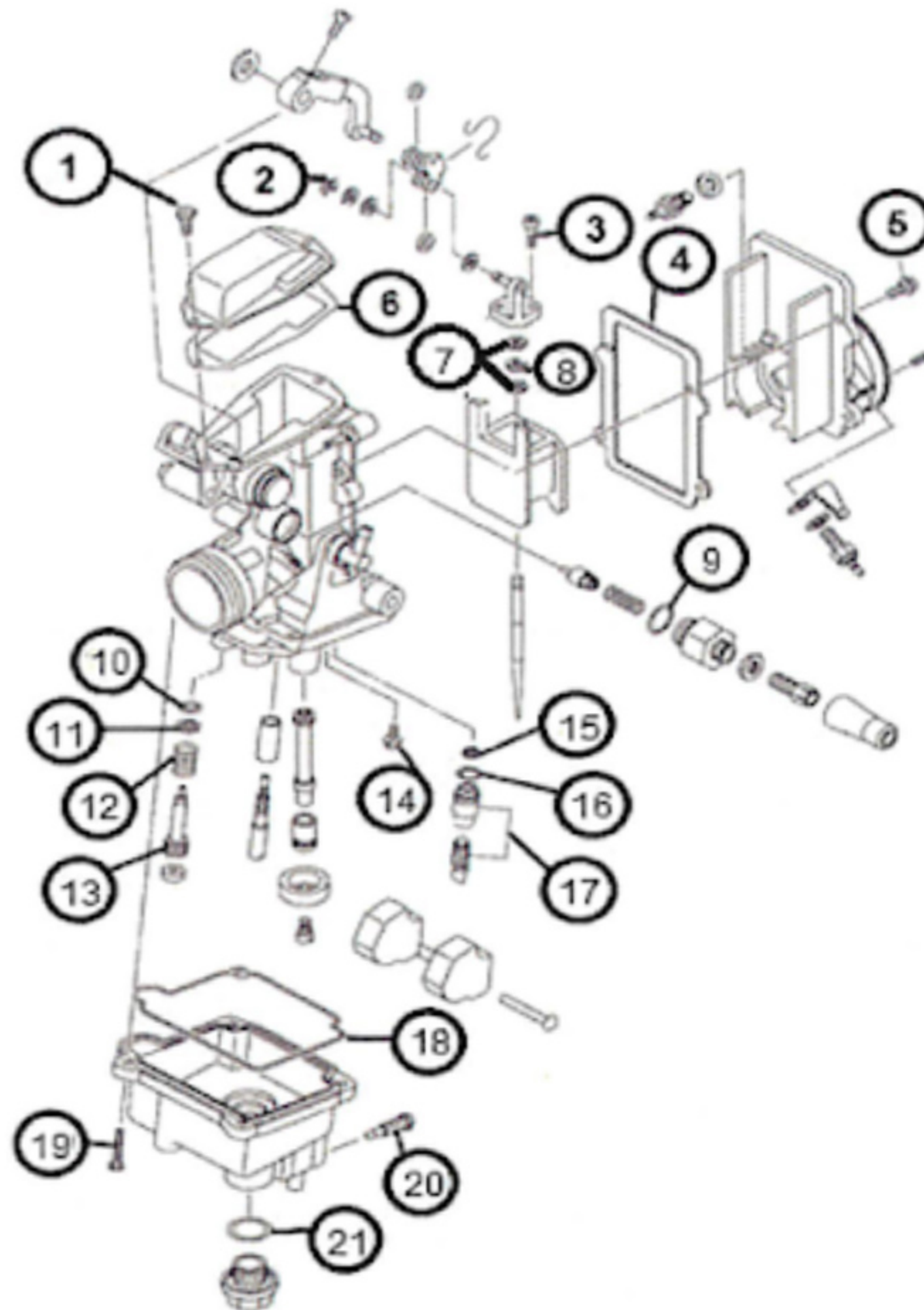


ITEM	QTY	DESCRIPTION
1	2	SCREW, TOP CAP
2	1	E-CLIP
3	2	SCREW
4	1	GASKET
5	4	SCREW, BODY
6	1	GASKET, TOP
7	2	WASHER
8	1	E-CLIP
9	1	O-RING, CHOKE NUT
10	1	O-RING, FUEL SCREW
11	1	WASHER, FUEL SCREW
12	1	SPRING, FUEL SCREW
13	1	FUEL SCREW
14	1	SCREW, FLOAT
15	1	FILTER
16	1	O-RING
17	1	FLOAT VALVE 1.3
18	1	O-RING, BOWL GASKET
19	4	SCREW, BOWL
20	1	DRAIN PLUG
21	1	O-RING, BOWL NUT

MK-TM33-26SM

See Yamaha Snowmobile applications below



YAMAHA SNOWMOBILE APPLICATIONS:

- 1998-2002 MOUNTAIN MAX 600
- 2000-2001 VMAX 600 DELUXE
- 1998-2001 VMAX 700SX
- 1999 VMAX 700 SX
- 1999 VMAX -VX 600ERC
- 1999-2006 VENTURE 600
- 1998-2003 MOUNTAIN MAX 700
- 2002 VMAX 600 ER
- 1999-2000 VMAX 700
- 2000-2001 SX700R
- 1998-2003 VENTURE 700
- 1999 VMAX VX 600
- 2002 VMAX 700 ER
- 1998 VMAX 700 XTCP, XTC, SXS
- 2000 V MAX 700 DELUXE
- 1999-2003 VMAX 600

YAMAHA SNOWMOBILE APPLICATIONS CONTINUED:

- 2000-2003 SX600R
- 1999-VMAX 600 SX
- 1999-2001 VMAX 700 DELUXE
- 2002-VMAX 700
- 2000-2001 MOUNTAIN MAX 700
- 2004-2006 SX VENOM 600