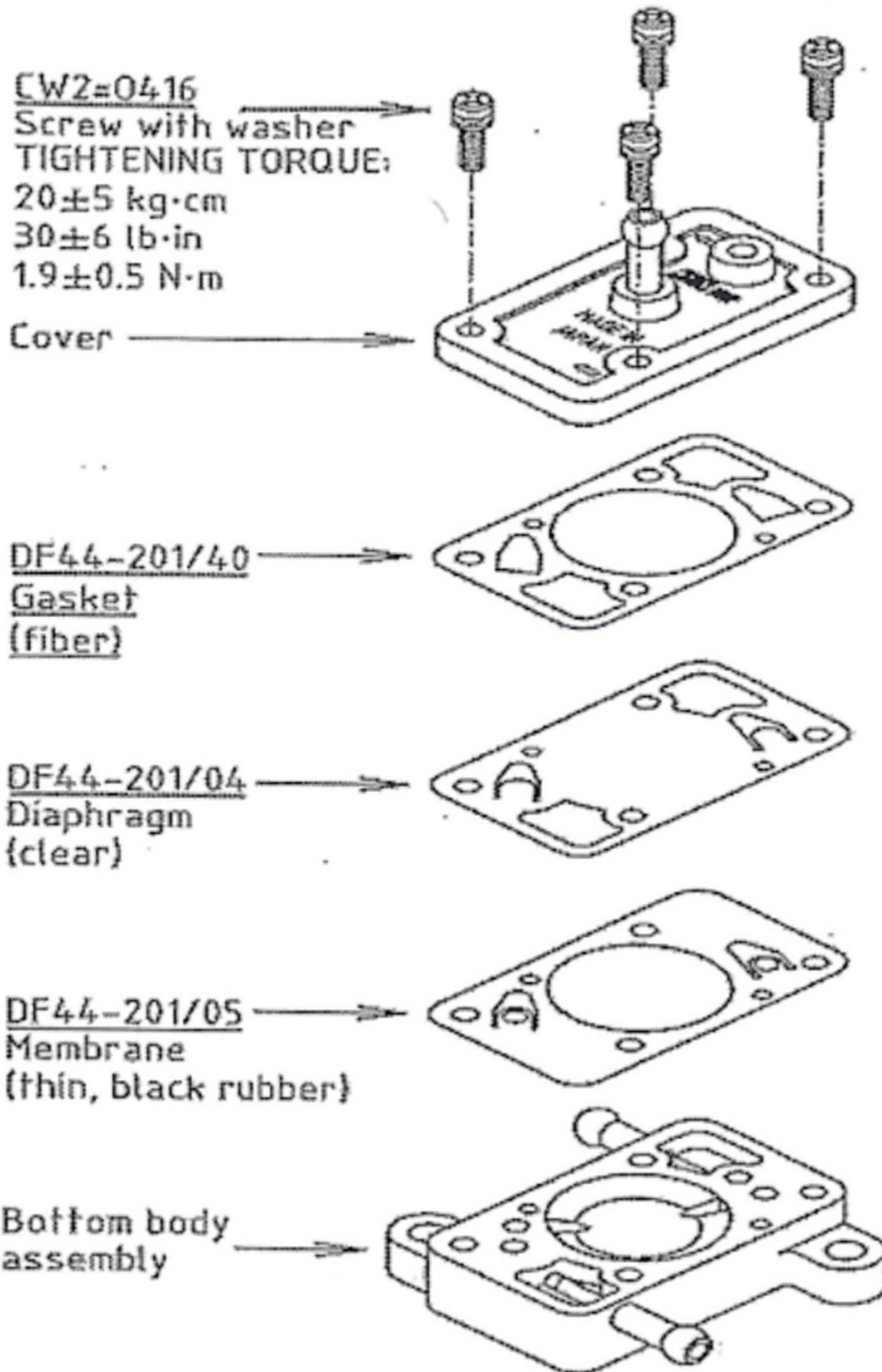


UNDERLINED PART NUMBERS REPRESENT PARTS INCLUDED IN MK-DF44 REBUILD KIT



- NOTES: 1. Do not use gasket sealer during assembly.
2. Use hose clamps on all hose connections.