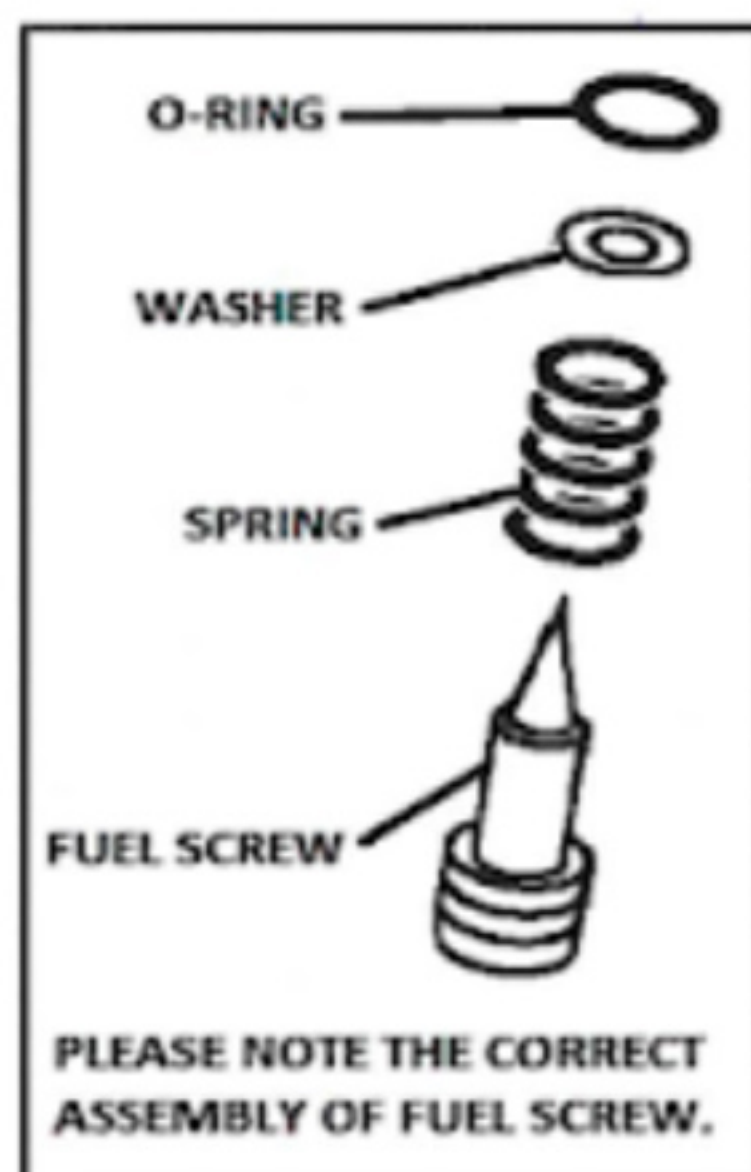
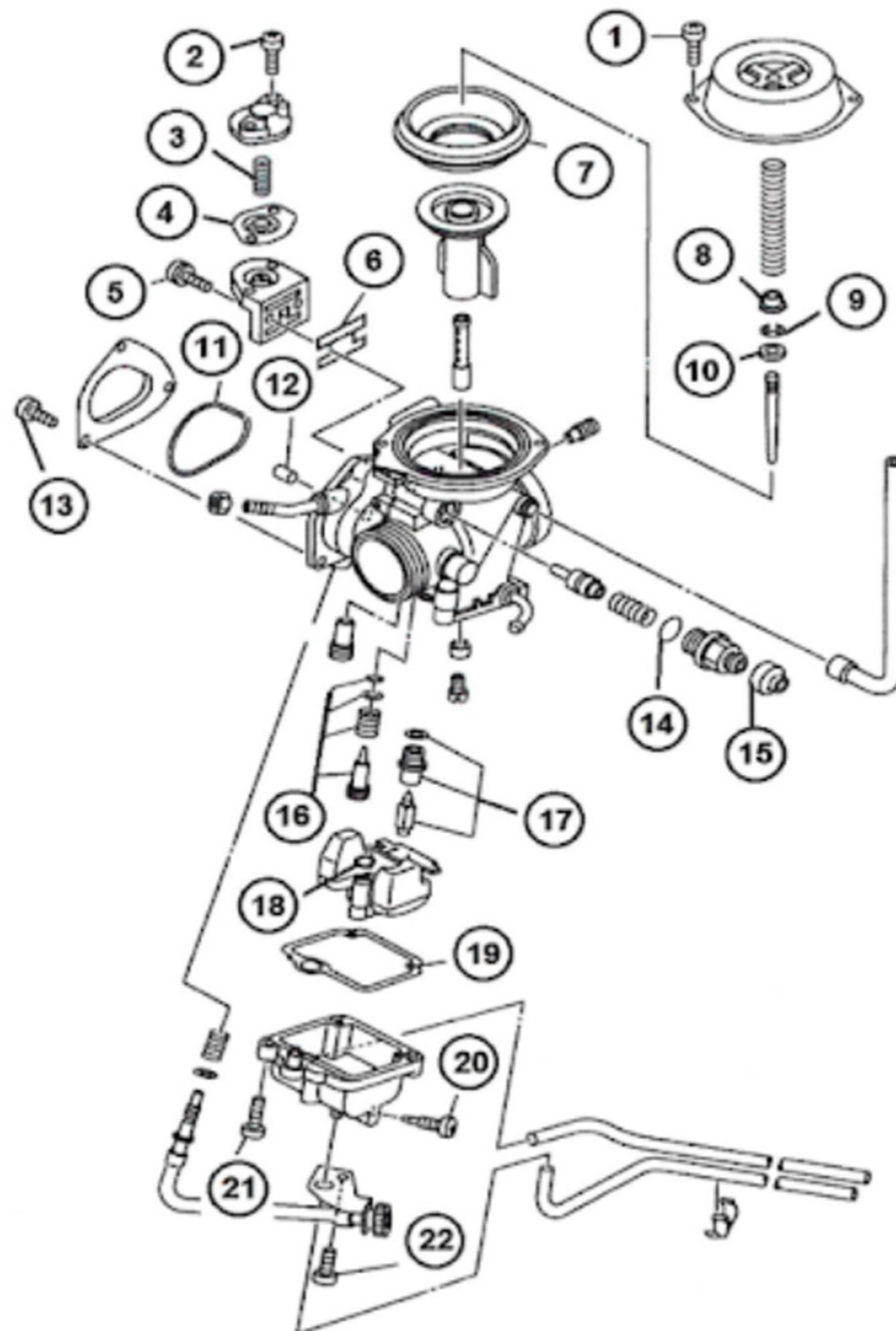


ITEM	QTY	DESCRIPTION
1	2	SCREW, TOP CAP
2	2	SCREW
3	1	SPRING
4	1	DIAPHRAGM
5	2	SCREW
6	1	GASKET
7	1	DIAPHRAGM
8	1	RING
9	1	E-CLIP
10	1	RING
11	1	O-RING
12	1	GUIDE
13	3	SCREW
14	1	O-RING
15	1	CAP
16	1	FUEL SCREW ASSY
17	1	FLOAT VALVE 2.8
18	1	O-RING
19	1	O-RING SEAL
20	1	SCREW, DRAIN
21	2	SCREW, BOWL
22	1	SCREW, BOWL

**MK-BST40-249**

1998-2001 Yamaha Grizzly 600 ATV



**\*\*REPLACEMENT JET NOTE**

Due to varying model requirements, this kit does not include main jets or pilot jets. If needed, refer to the following Mikuni Part numbers when acquiring these jets:

Main Jet: N100604-XXXX

Pilot Jet: N151067-XXXX