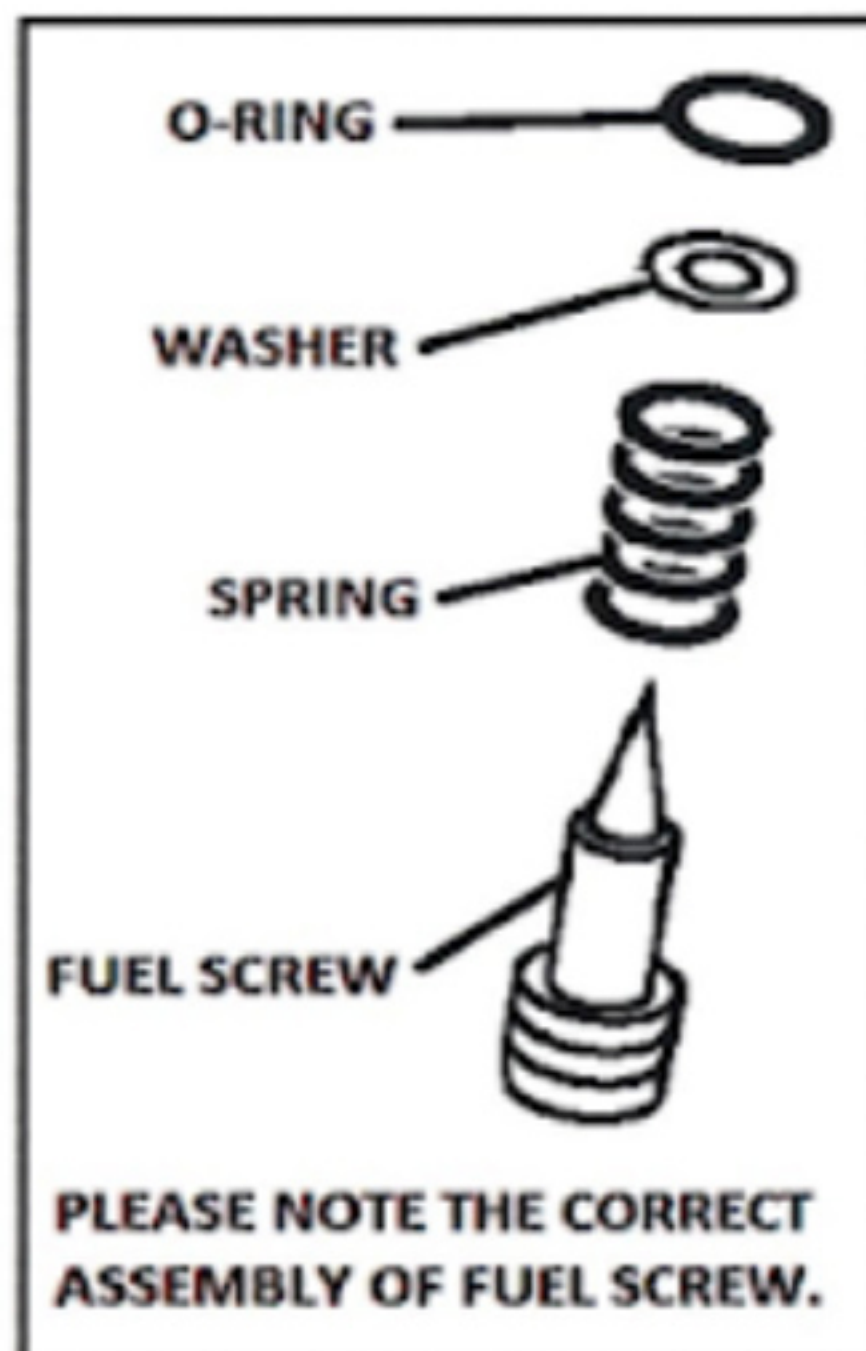
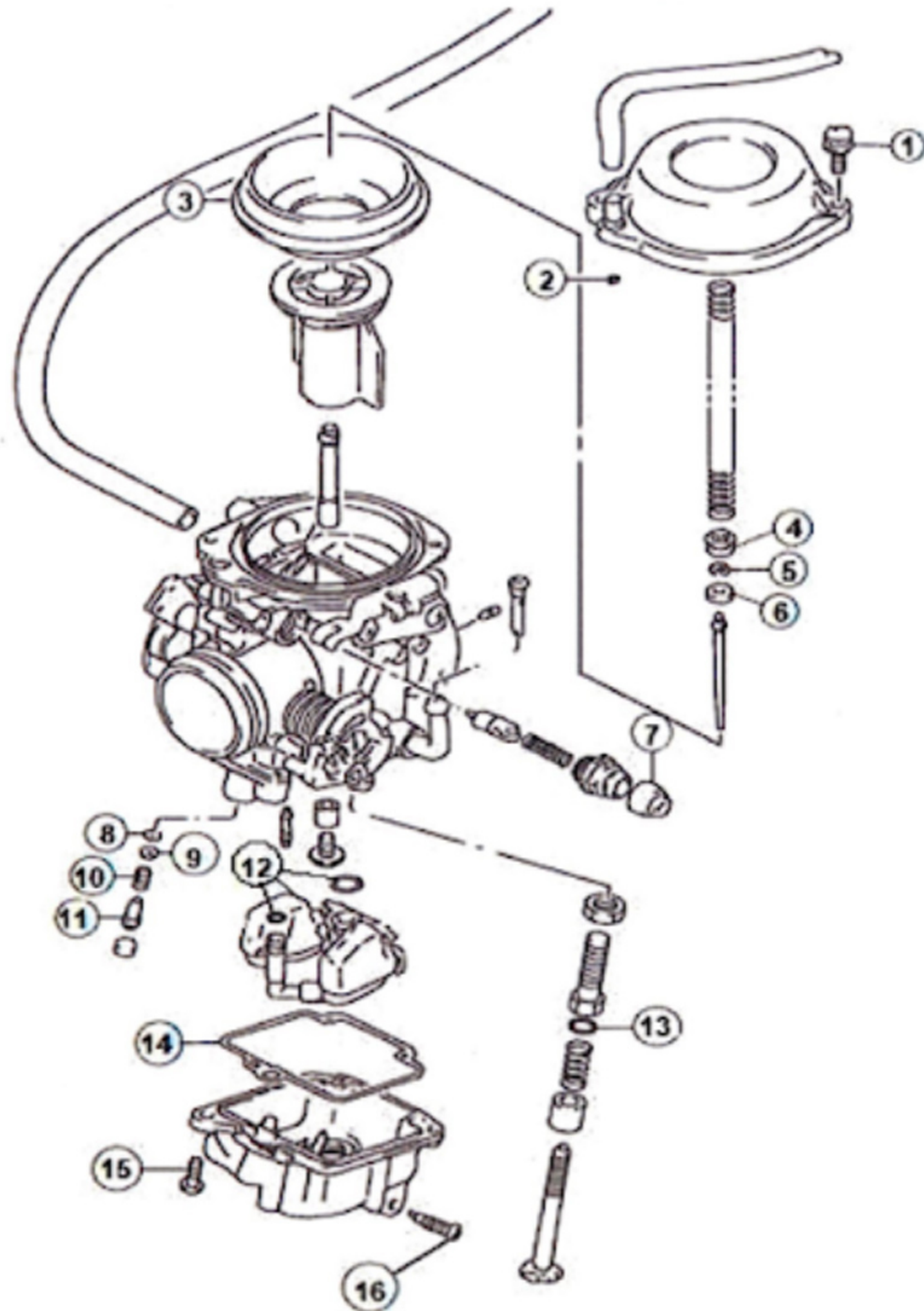


ITEM	QTY	DESCRIPTION
1	2	SCREW (TOP CAP)
2	1	O-RING
3	1	DIAPHRAGM
4	1	RING
5	1	E-RING
6	1	RING
7	1	CAP
8	1	O-RING
9	1	WASHER
10	1	SPRING
11	1	FUEL SCREW
12	1	FLOAT VALVE ASSY
13	1	WASHER
14	1	SEAL (BOWL)
15	2	SCREW
16	1	SCREW

MK-BST40-233

Suzuki Application:
1996-2017 DR 650 SE



****REPLACEMENT JET NOTE**

Due to varying model requirements, this kit does not include main or pilot jets

If needed, refer to the

following Mikuni Part numbers when acquiring these jets:

Main Jet: N100604-XXXX

Pilot Jet: N151067-XXXX