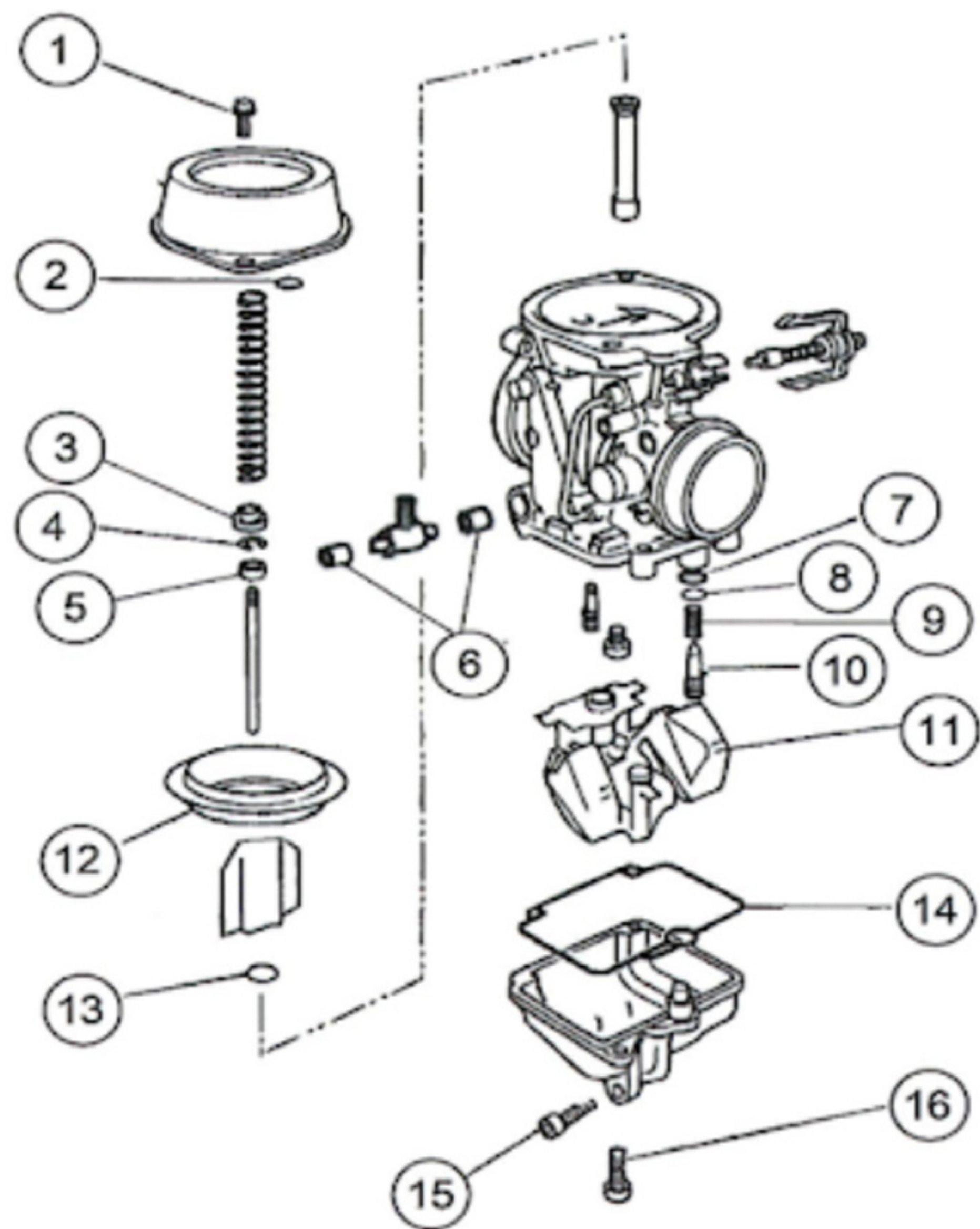
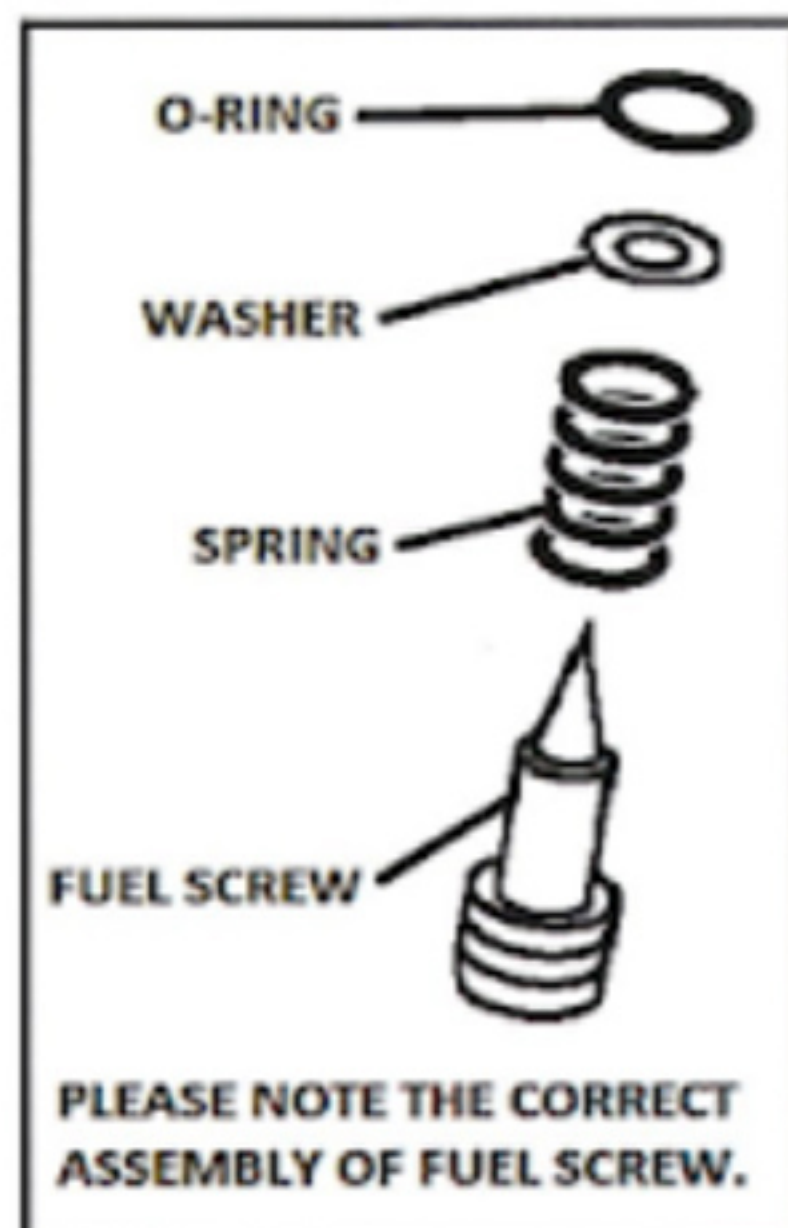


ITEM	QTY	DESCRIPTIONS
1	2	SCREWS, TOP CAP
2	1	O-RING, TOP CAP
3	1	RING
4	1	E-CLIP
5	1	RING
6	1	DIAPHRAM
7	1	O-RING
8	1	O-RING, FUEL SCREW
9	1	WASHER, FUEL SCREW
10	1	SPRING, FUEL SCREW
11	1	FUEL SCREW
12	1	FLOAT VALVE ASSY
13	1	SEAL, BOWL
14	1	SCREW, BOWL DRAIN
15	2	SCREW, FLOAT BOWL
16	2	SEALS

## MK-BST36-C326

Application:  
Various Triumph Motorcycles  
with OEM Mikuni BST36 Carburetors



### \*\*REPLACEMENT JET NOTE

Due to varying model requirements, this kit does not include main or pilot jets. If needed, refer to the following Mikuni Part numbers when acquiring these jets:

Main Jet: N100604-XXXX

Pilot Jet: N151067-XXXX