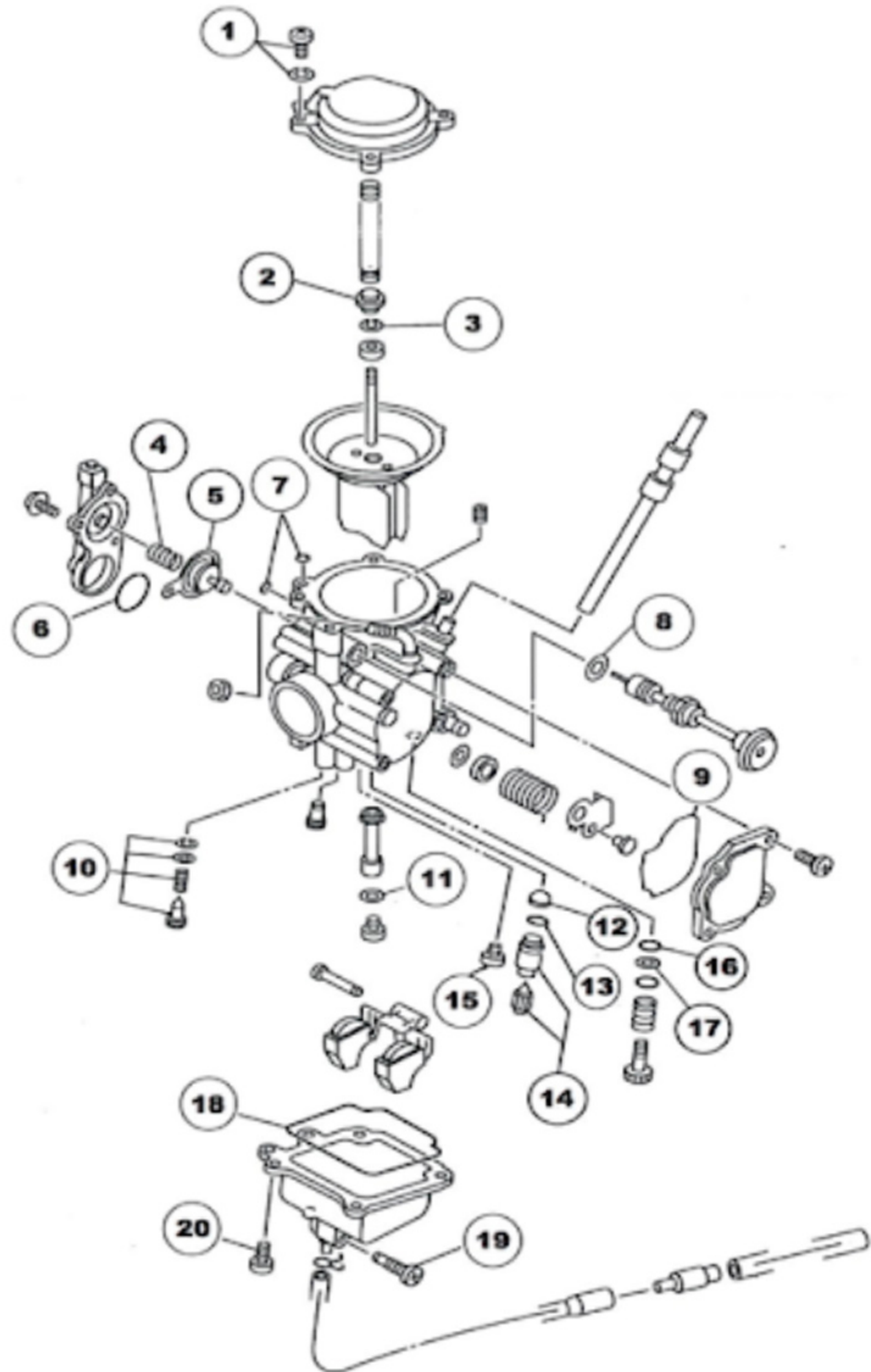


| ITEM | QTY | DESCRIPTION |
|------|-----|---------------------|
| 1 | 4 | TOP CAP SCREWS |
| 2 | 1 | WASHER |
| 3 | 1 | E-CLIP |
| 4 | 1 | SPRING |
| 5 | 1 | DIAPHRAGM |
| 6 | 1 | O-RING |
| 7 | 2 | WASHER |
| 8 | 1 | O-RING STARTER |
| 9 | 1 | O-RING COVER |
| 10 | 1 | FUEL SCREW |
| 11 | 1 | WASHER |
| 12 | 1 | FILTER, FLOAT VALVE |
| 13 | 1 | O-RING |
| 14 | 1 | FLOAT VALVE |
| 15 | 1 | SCREW, FLOAT VALVE |
| 16 | 1 | O-RING |
| 17 | 1 | WASHER |
| 18 | 1 | GASKET, FLOAT VALVE |
| 19 | 1 | PLUG, DRAIN |
| 20 | 4 | SCREWS, BOWL |

MK-BST34 -250
2001-2005 Yamaha Woverine 350



****REPLACEMENT JET NOTE**

Due to varying model requirements, this kit does not include main or pilot jets. If needed, refer to the following Mikuni Part numbers when acquiring these jets:

Main Jet: N100604-XXXX

Pilot Jet: N151067-XXXX

