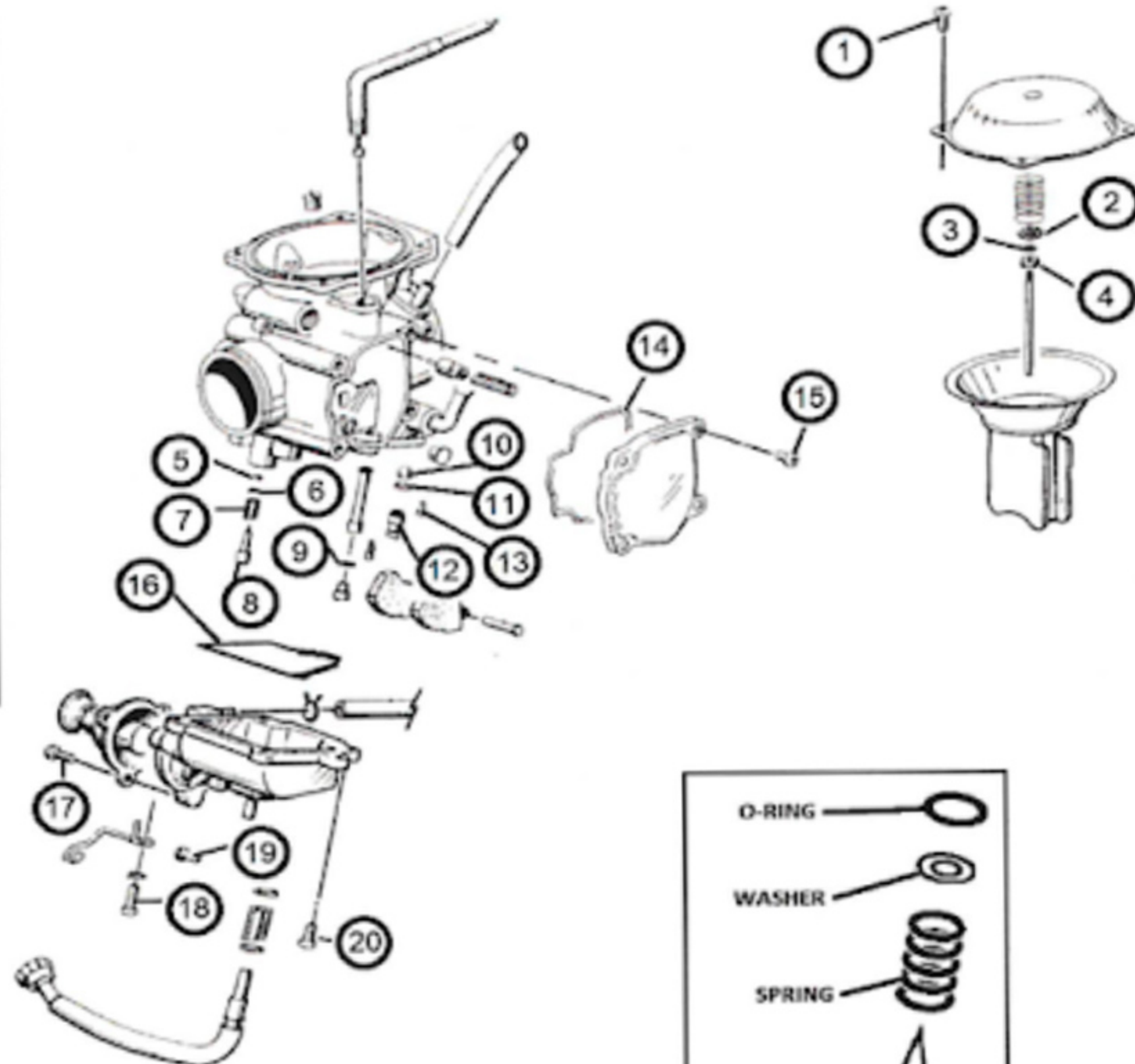


ITEM	QTY	DESCRIPTION
1	4	TOP SCREW
2	1	RING
3	1	E-CLIP
4	1	RING
5	1	O-RING
6	1	WASHER
7	1	SPRING
8	1	FUEL SCREW
9	1	WASHER
10	1	FILTER
11	1	O-RING
12	1	FLOAT VALVE ASSY 2.0
13	1	SCREW
14	1	O-RING
15	4	SCREW
16	1	BOWL GASKET
17	3	SCREW
18	1	SCREW
19	1	SCREW, DRAIN
20	3	SCREW

MK-BST34-216

ARTIC CAT APPLICATIONS:

1999-2001 250 2X4, 4X4
 1998-2000 300 2X4, 4X4
 2000-2004 400 2X4, 4X4
 1996 BEARCAT 454 4X4
 1997-1998 454 2X4, 4X4
 1998-2000 500 4X4



**REPLACEMENT JET NOTE

Due to varying model requirements, this kit does not include main jets or pilot jets. If needed, refer to the following Mikuni Part numbers when acquiring these jets:

Main Jet: N100604-XXXX

Pilot Jet: N151067-XXXX