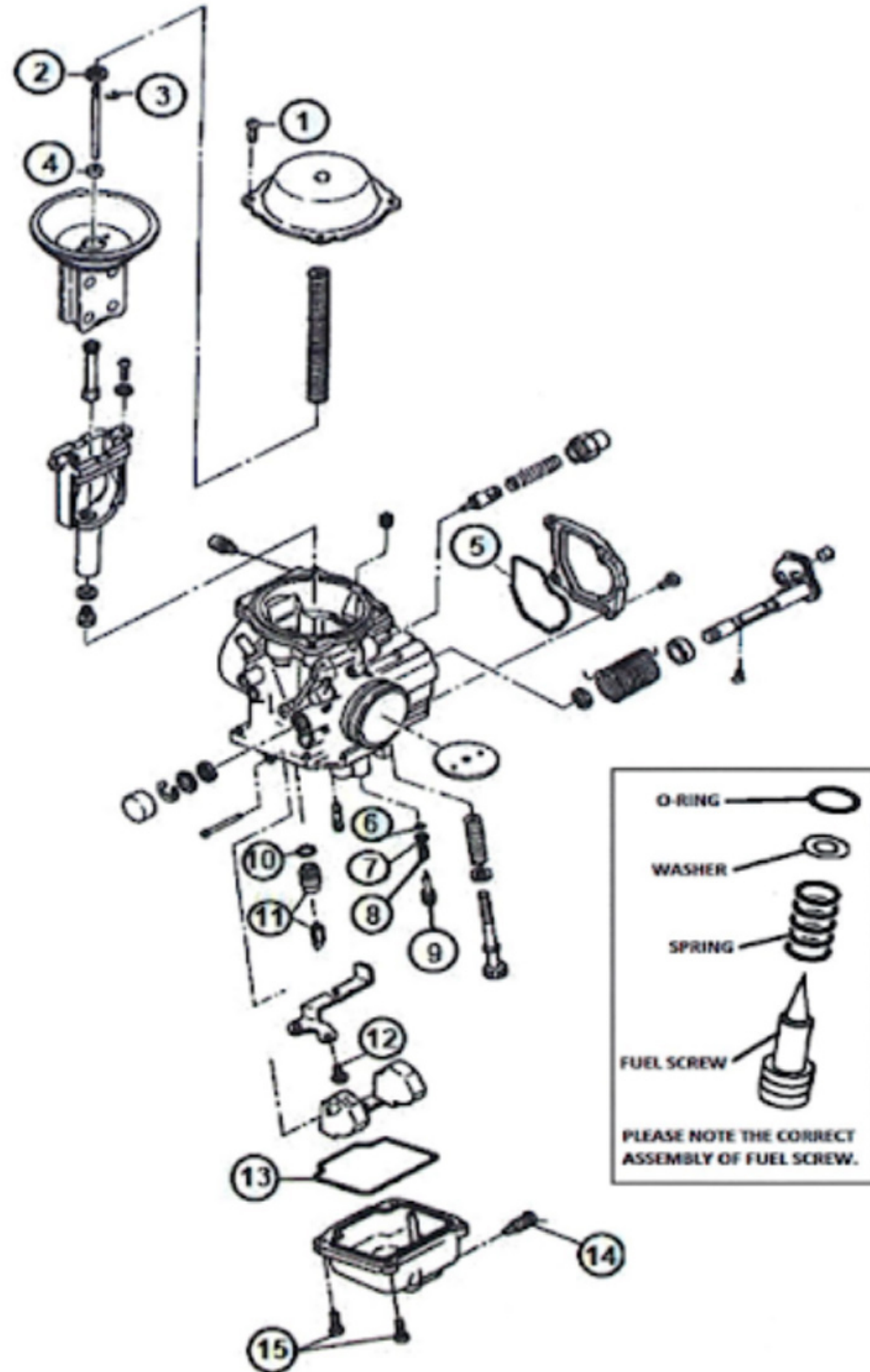


Item	Qty	Desc
1	4	TOP CAP SCREW
2	1	RING
3	1	E-RING
4	1	RING
5	1	O-RING, COVER
6	1	O-RING, FUEL SCREW
7	1	WASHER, FUEL SCREW
8	1	SPRING, FUEL SCREW
9	1	ADJUSTER, FUEL SCREW
10	1	O-RING, NEEDLE VALVE
11	1	NEEDLE VALVE 1.2
11A	1	NEEDLE VALVE 1.5
12	2	SCREW
13	1	O-RING, FLOAT BOWL
14	1	SCREW, BOWL DRAIN
15	4	SCREW

MK-BST34-190

Applications:

Multiple Polaris ATV's, UTV's with OEM BST 34 Carburetors
Refer to www.MikuniPower.com for specific applications



**REPLACEMENT JET NOTE

Due to varying model requirements, this kit does not include main jets or pilot jets. If needed, refer to the following Mikuni Part numbers when acquiring these jets:

Main Jet: N100604-XXXX

Pilot Jet: N151067-XXXX

**NOTE: This kit may contain extra parts intended for other carburetors within this group. Substitute identical replacement parts for original worn parts found in carburetor.