

ITEM	QTY	DESCRIPTION
1	4	SCREW, CAP
2	1	RING
3	1	E-RING
4	1	RING
5	1	CAP
6	1	O-RING, COVER
7	1	CABLE GUIDE
8	1	O-RING, FUEL SCREW
9	1	WASHER, FUEL SCREW
10	1	SPRING, FUEL SCREW
11	1	FUEL SCREW
12	1	WASHER
13	1	SCREW
14	1	FILTER, FLOAT VALVE
15	1	O-RING, FLOAT VALVE
16	1	FLOAT VALVE 1.5
17	4	SCREW, SIDE COVER
18	1	O-RING, BOWL
19	1	SCREW, DRAIN
20	1	SCREW, BOWL
21	3	SCREW, BOWL

MK-BST31-40

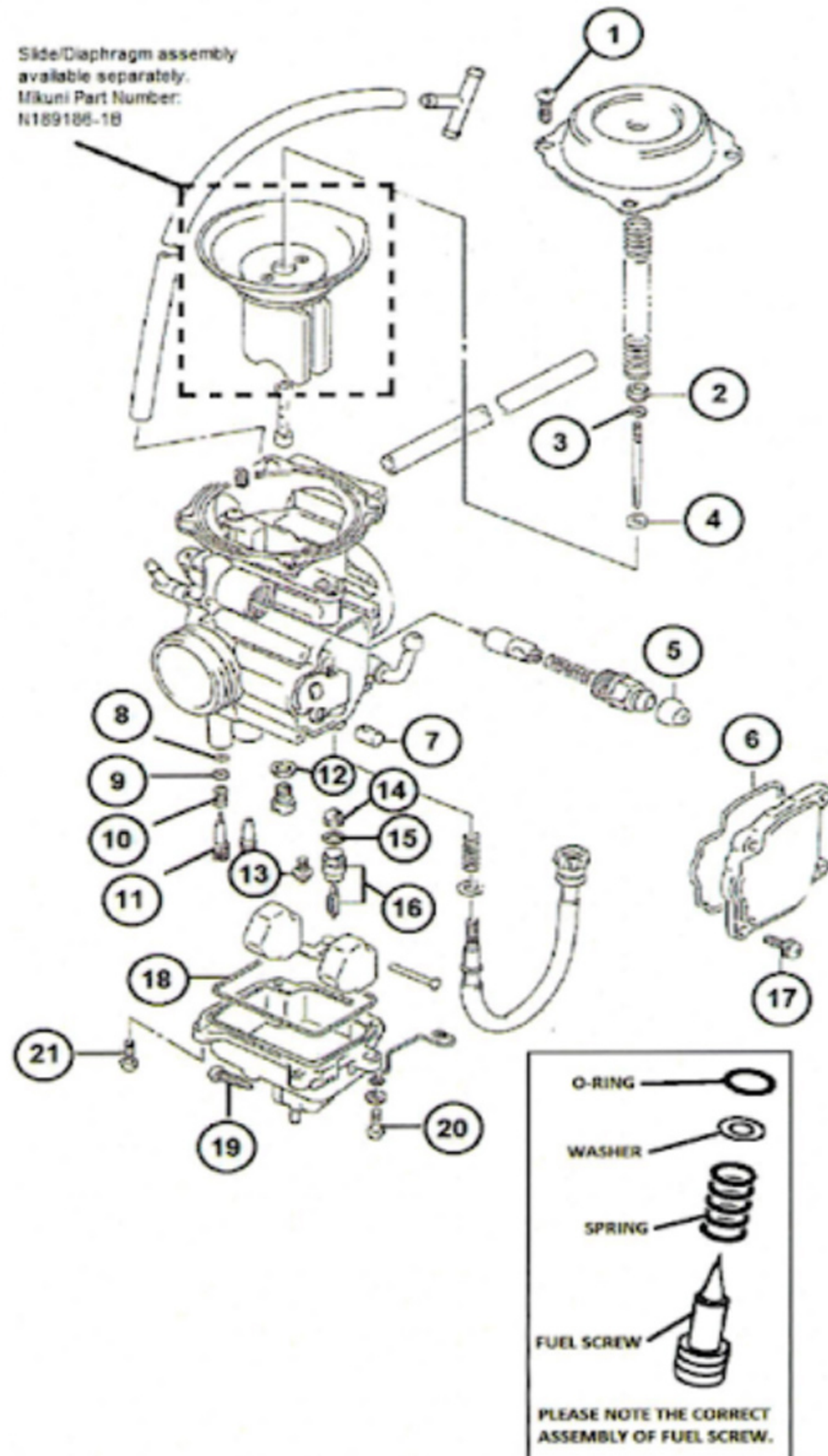
Suzuki Applications:

1990-1999 Quadrunner LT-F250 ATV

1997-2000 LT-F 250 Quadrunner 4WD ATV

1990-1996 LT-F 250T ATV

1991-1999 Quadrunner King Quad LT-F300 4WD ATV



Slide/Diaphragm assembly NOT included in kit. Available separately. Reference Mikuni Part: N189186-1B

**REPLACEMENT JET NOTE

Due to varying model requirements, this kit does not include main jets or pilot jets. If needed, refer to the following Mikuni Part numbers when acquiring these jets:

Main Jet: N100604-XXXX

Pilot Jet: N151067-XXXX