

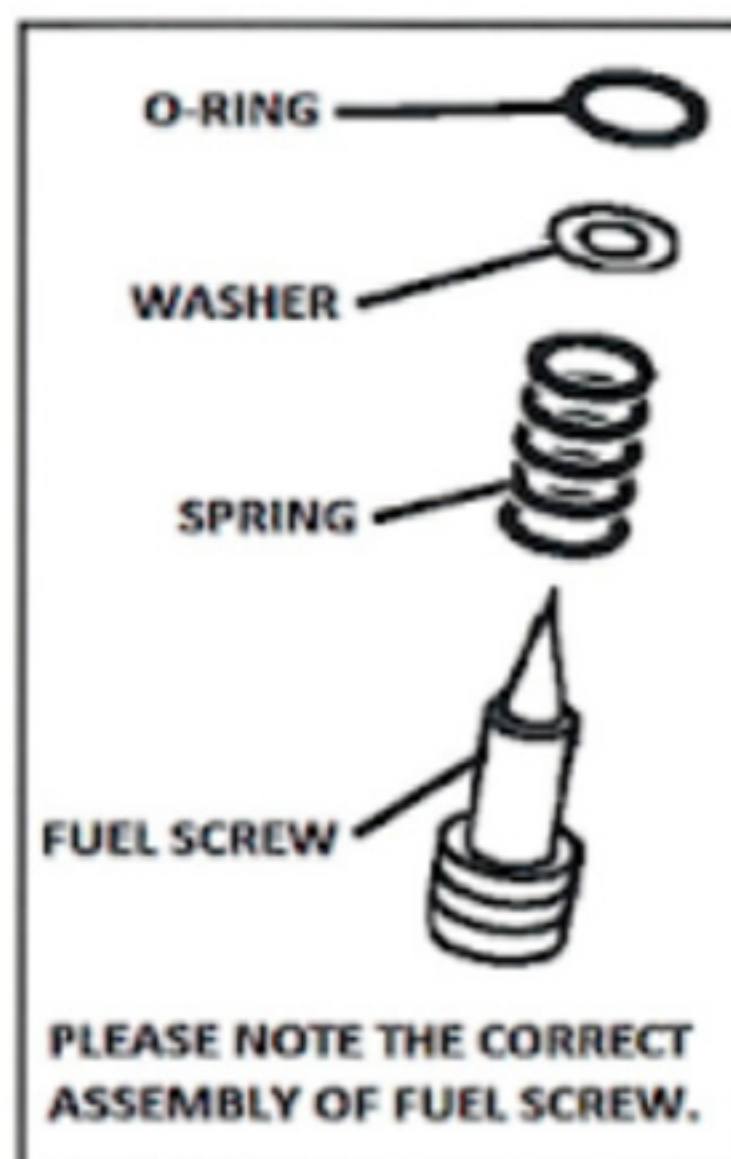
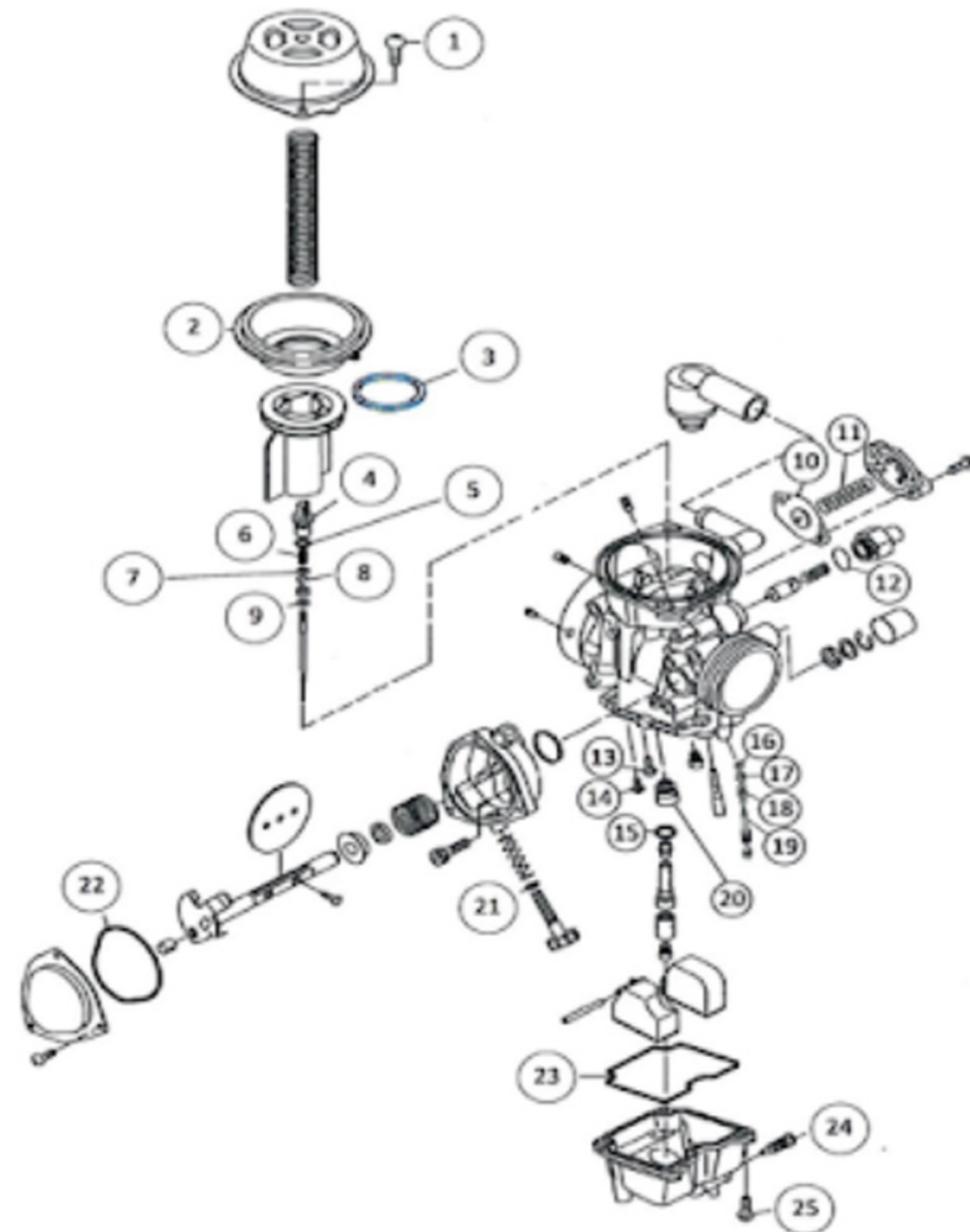
ITEM	QTY	DESCRIPTION
1	2	TOP CAP SCREWS
2	1	DIAPHRAGM
3	1	RING
4	1	HOLDER
5	1	O-RING (Jet Nozzle)
6	1	SPRING (Jet Needle)
7	1	WASHER THICK (Jet Needle)
8	1	E-RING
9	1	WASHER THIN (Jet Needle)
10	1	DIAPHRAGM
11	1	SPRING
12	1	O-RING (Starter Cap)
13	1	SCREW
14	1	SCREW
15	1	O-RING (Nozzle)
16	1	O-RING (Fuel Screw)
17	1	WASHER
18	1	WASHER
19	1	FUEL SCREW
20	1	NEEDLE VALVE ASSY
21	1	O-RING (Throttle Adj)
22	1	O-RING
23	1	O-RING (Bowl)
24	1	SCREW (Drain)
25	4	SCREW (Bowl)

MK-BSR42-16

Polaris Application:

2003-2007 Predator 500

2006-2007 Outlaw 500



**REPLACEMENT JET NOTE

Due to varying model requirements, this kit does not include main jets or pilot jets

If needed, refer to the following Mikuni Part numbers when acquiring these jets:

Main Jet: N10221-XXXX

Pilot Jet: N224103-XXXX