

ITEM	QTY	Description
1	2	TOP CAP SCREWS
2	1	HOLDER
3	1	O-RING (JET NOZZLE)
4	1	SPRING (JET NEEDLE)
5	1	WASHER <b>THICK</b> (JET NEEDLE)
6	1	E-RING
7	1	WASHER <b>THIN</b> (JET NEEDLE)
8	1	RING
9	1	DIAPHRAGM
10	1	O-RING, STARTER CAP
11	1	SPRING
12	1	DIAPHRAGM
13	1	O-RING, IDLE SCREW
14	1	O-RING
15	1	O-RING, PILOT AIR SCREW
16	1	WASHER
17	1	SPRING
18	1	FUEL SCREW
19	1	O-RING NOZZLE
20	1	SCREW
21	1	NEEDLE VALVE ASSY
22	1	SCREW
23	1	SCREW, DRAIN
24	1	O-RING, BOWL
25	4	SCREW, BOWL

## MK-BSR42 -07

### Bombardier/Can Am Applications:

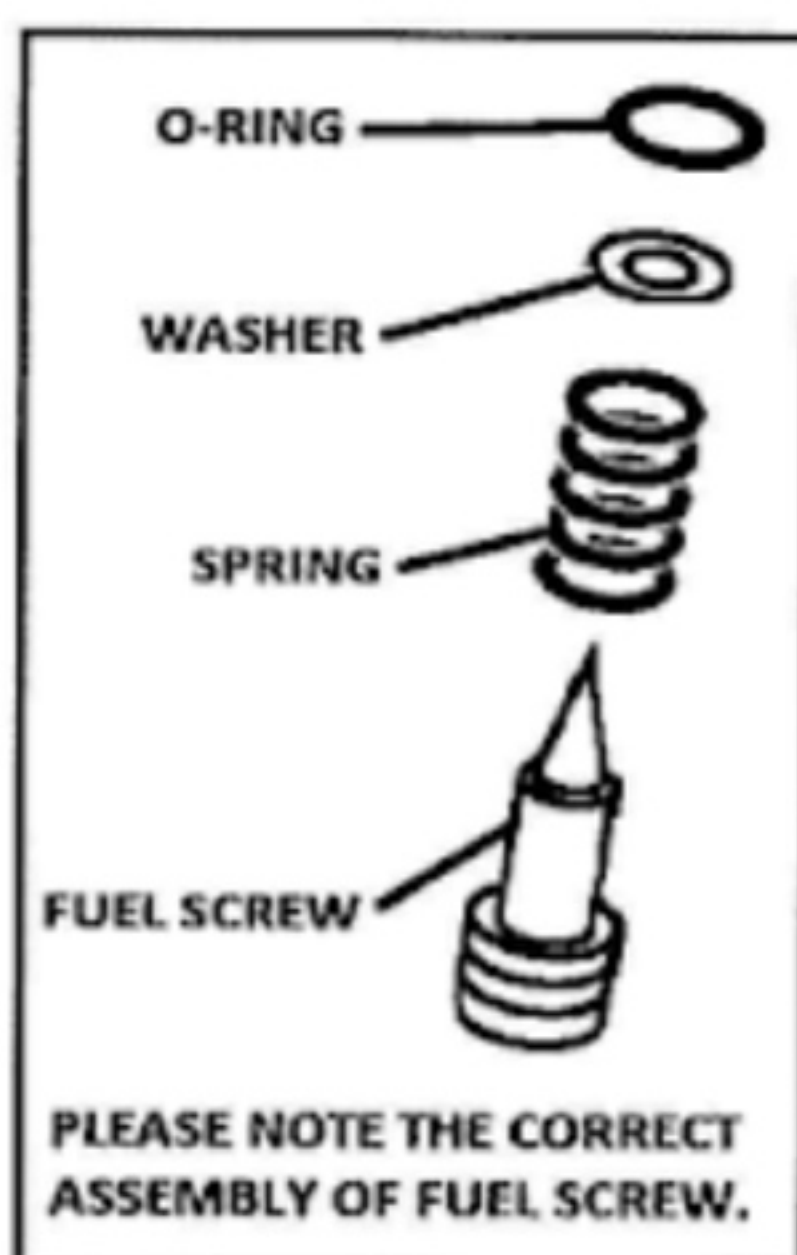
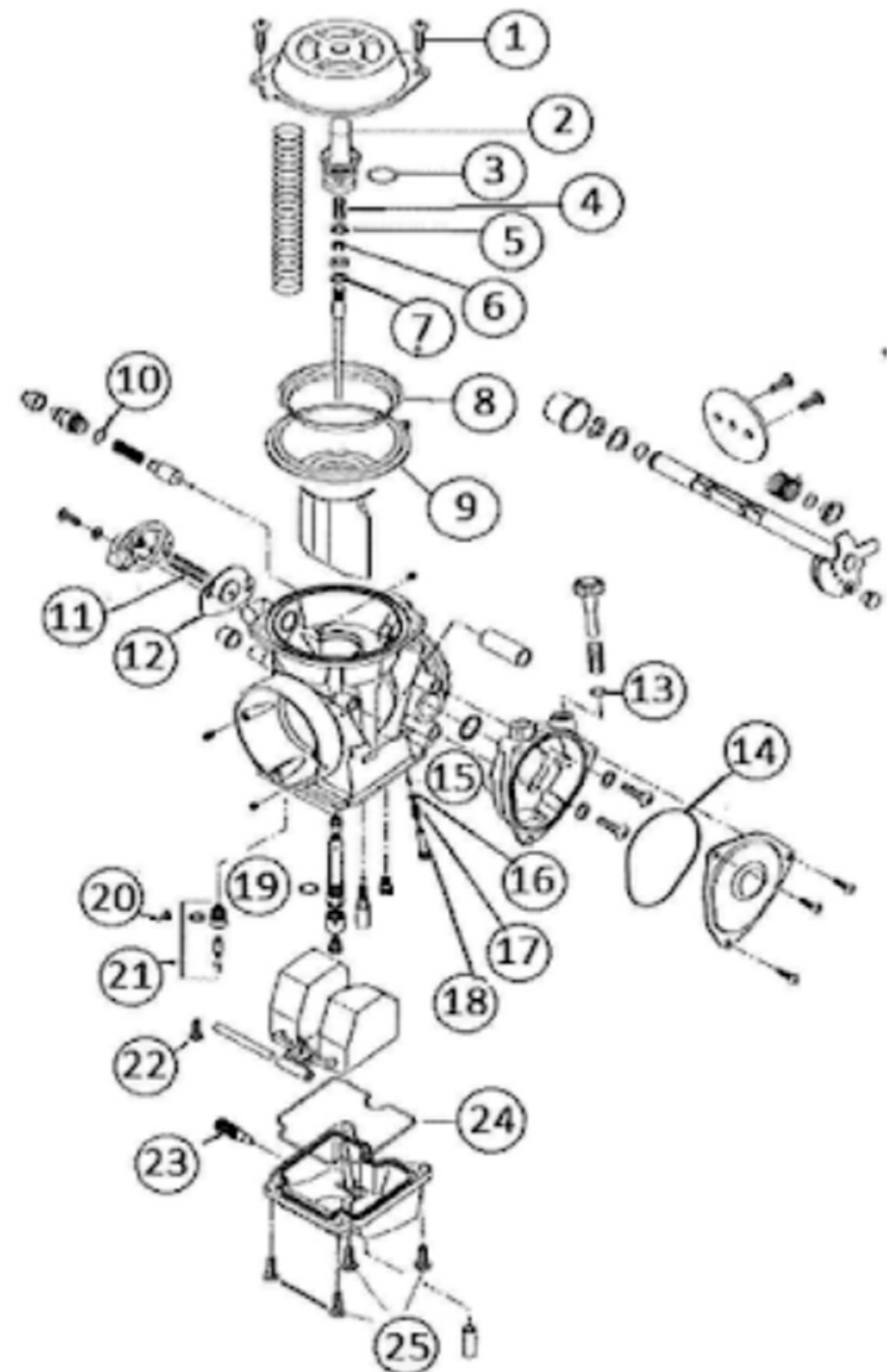
2002 Quest, Quest XT

2003 Quest 500

2003 Quest 650

2004 Quest, Quest XT, Quest MAX

2005 Traxter CVT 500, 650, 650 XT



### \*\*REPLACEMENT JET NOTE

Due to varying model requirements, this kit does not include main or pilot jets

If needed, refer to the

following Mikuni Part numbers when acquiring these jets:

Main Jet: N10221-XXXX

Pilot Jet: N224103-XXXX