

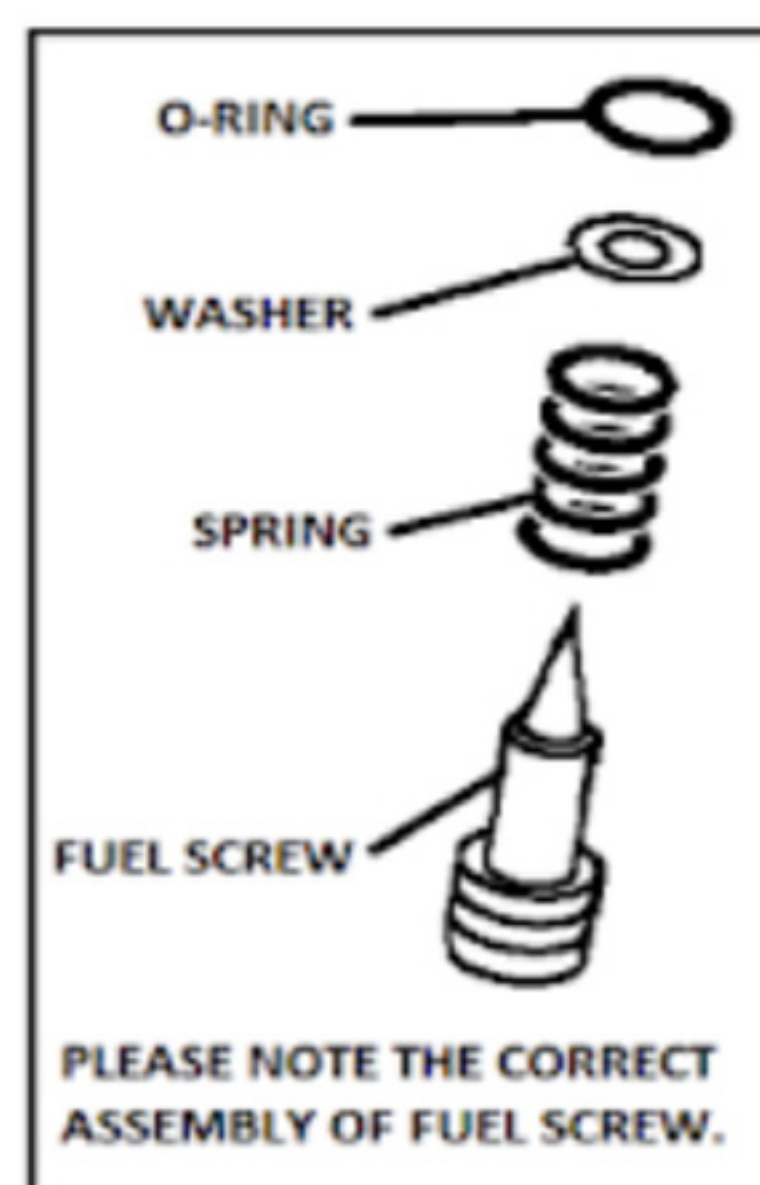
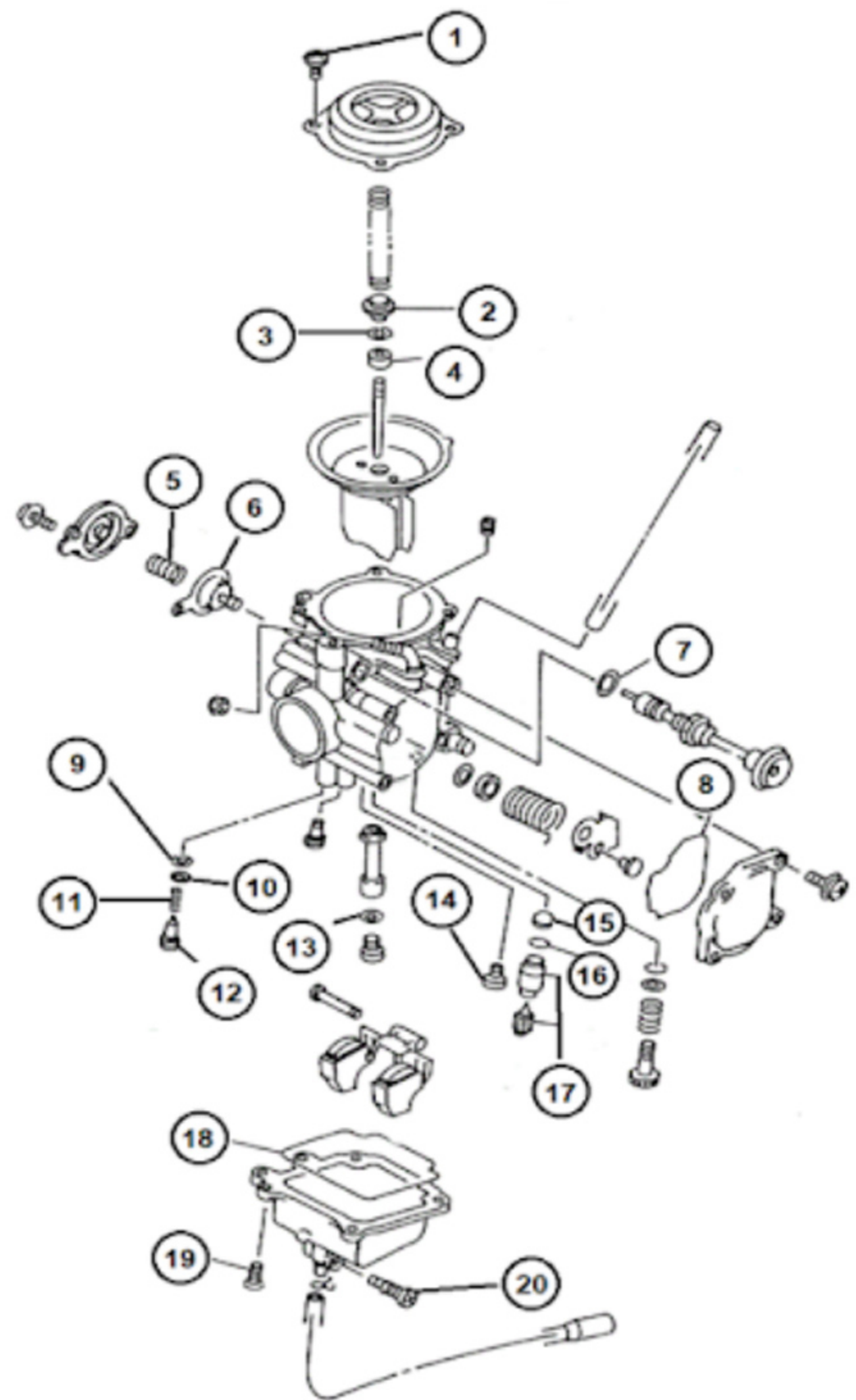
ITEM	QTY	DESCRIPTION
1	4	SCREW, TOP CAP
2	1	WASHER
3	1	E-CLIP
4	1	RING
5	1	SPRING
6	1	DIAPHRAGM
7	1	O-RING, CHOKE
8	1	O-RING, COVER
9	1	O-RING
10	1	WASHER
11	1	SPRING
12	1	FUEL SCREW
13	1	WASHER
14	1	SCREW
15	1	FILTER
16	1	O-RING
17	1	FLOAT VALVE 2.0
18	1	O-RING, FLOAT BOWL
19	4	SCREW, BOWL
20	1	SCREW, BOWL DRAIN

MK-BSR34-198

Yamaha Applications:

1997-1999 Yamaha Big Bear 350 ATV

1999-2004 Yamaha Bear Tracker 250 ATV



****REPLACEMENT JET NOTE**

Due to varying model requirements, this kit does not include main jets or pilot jets

If needed, refer to the

following Mikuni Part numbers when acquiring these jets:

Main Jet: N100604-XXXX

Pilot Jet: N151067-XXXX