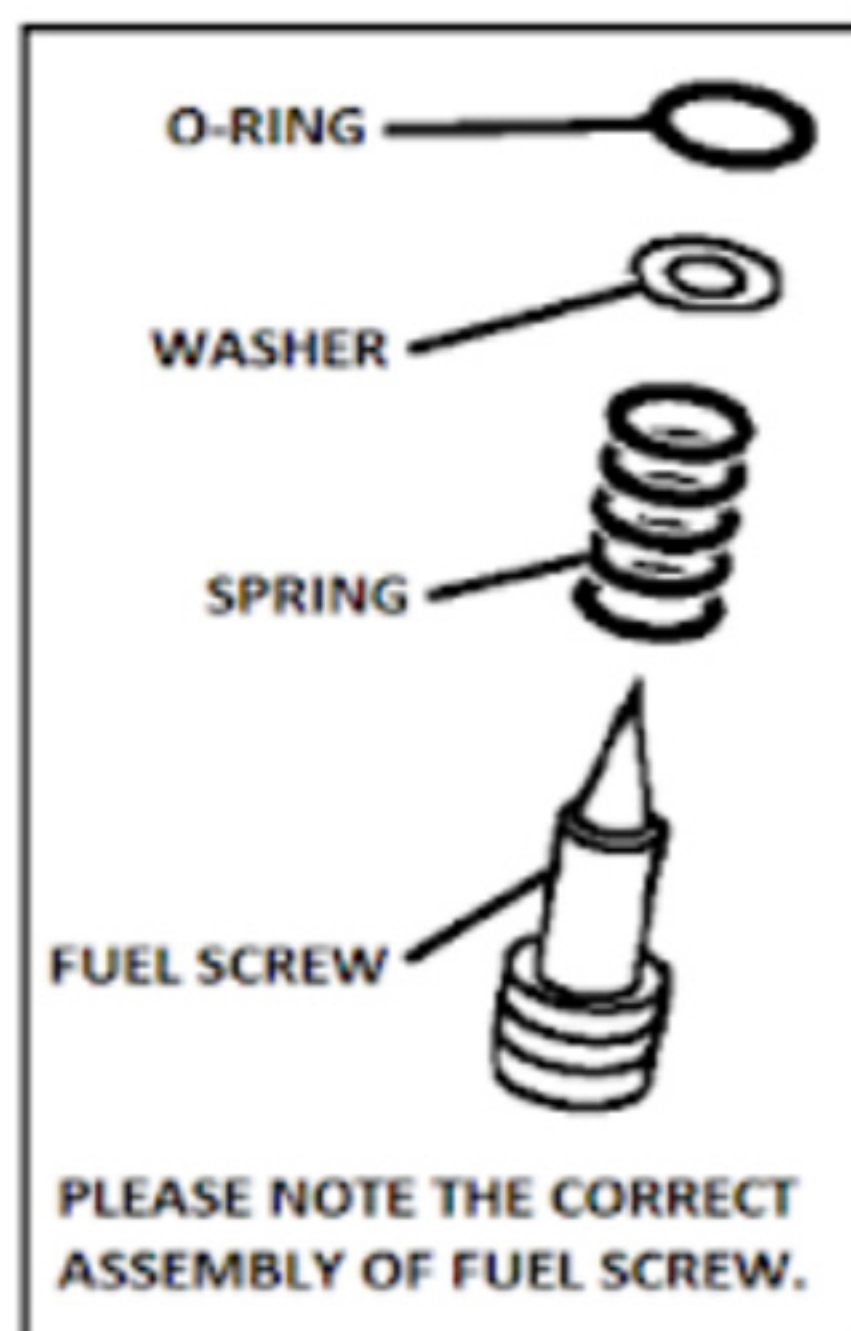
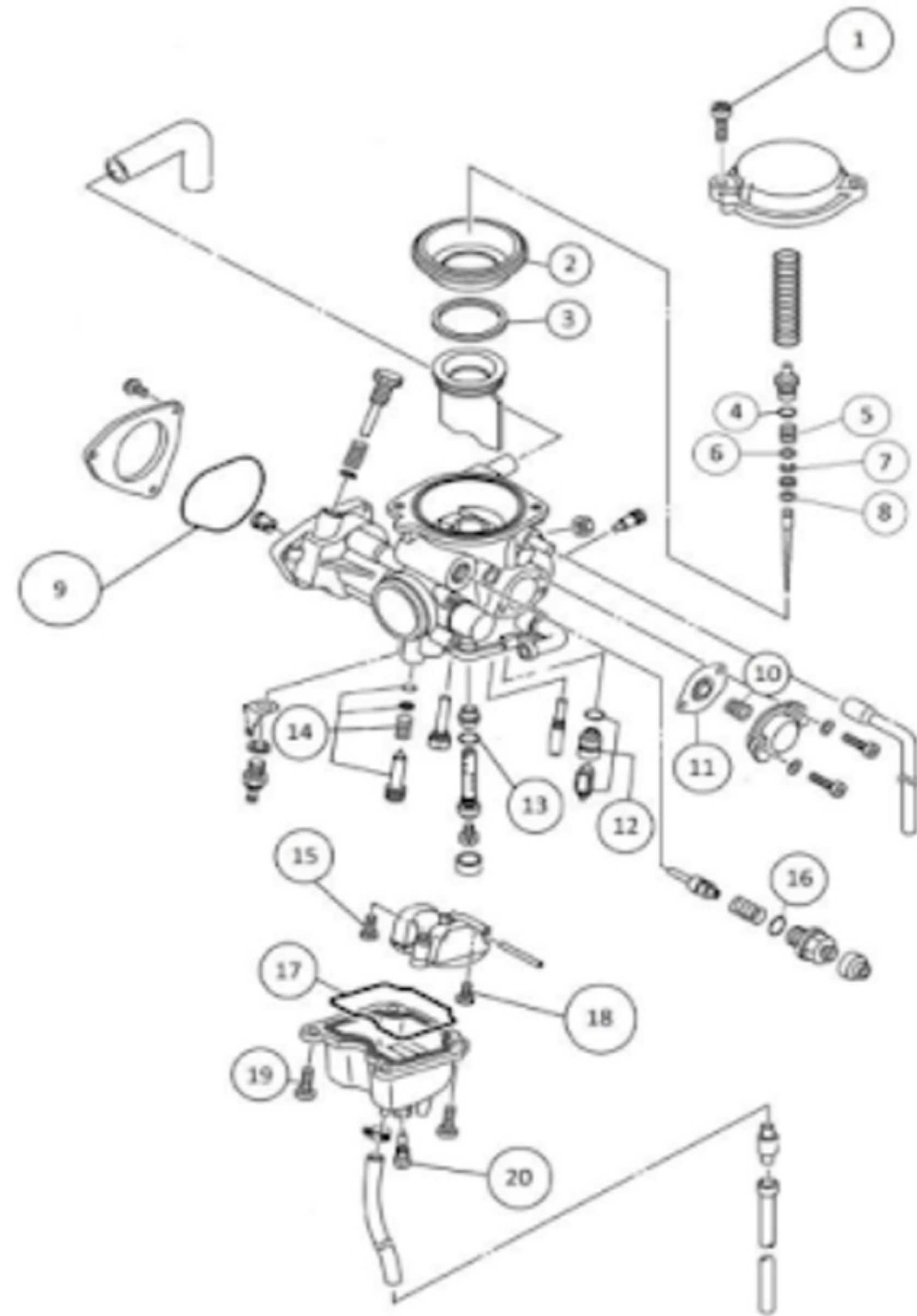


ITEM	QTY	DESCRIPTION
1	2	SCREW (TOP CAP)
2	1	DIAPHRAGM (TOP)
3	1	RING (TOP)
4	1	O-RING (JET NEEDLE)
5	1	SPRING (JET NEEDLE)
6	1	WASHER THICK (JET NEEDLE)
7	1	E-RING (JET NEEDLE)
8	1	WASHER THIN (JET NEEDLE)
9	1	O-RING
10	1	AIR CUT-OFF DIAPHRAGM SPRING
11	1	AIR CUT-OFF DIAPHRAGM
12	1	NEEDLE VALVE SET
13	1	O-RING (NOZZLE)
14	1	FUEL SCREW SET
15	1	SCREW
16	1	O-RING (STARTER CAP)
17	1	BOWL GASKET
18	1	SCREW
19	4	SCREW (BOWL)
20	1	SCREW (BOWL)

MK-BSR33-P68 REBUILD KIT

Yamaha Application:
2006-2009 Rhino 450



**REPLACEMENT JET NOTE

Due to varying model requirements, this kit does not include main or pilot jets

If needed, refer to the following

Mikuni Part numbers when acquiring these jets:

Main Jet: N10221-XXXX

Pilot Jet: N224103-XXXX