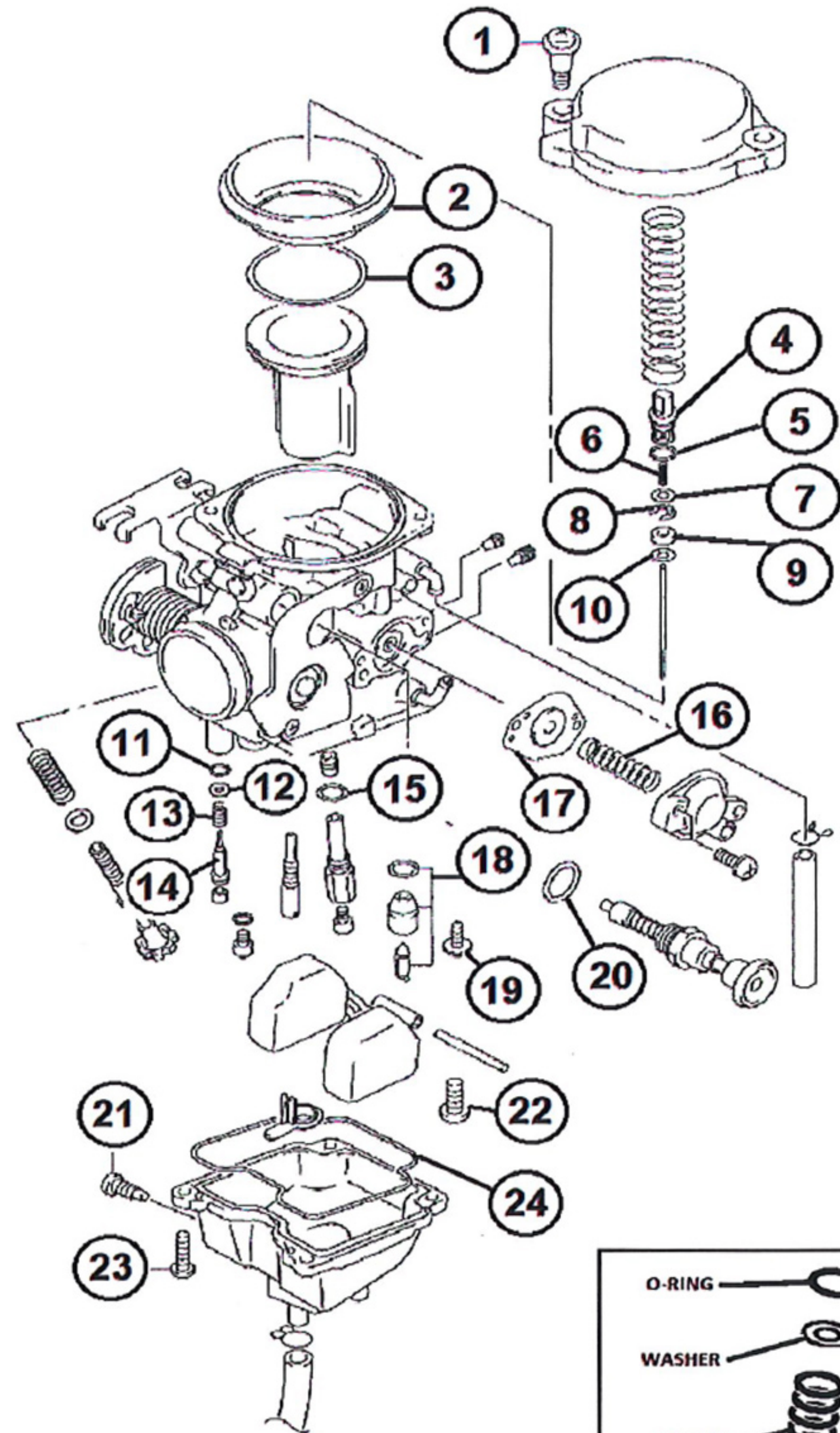


ITEM	QTY	DESCRIPTION
1	2	SCREW
2	1	DIAPHRAGM
3	1	RING
4	1	HOLDER
5	1	O-RING
6	1	SPRING
7	1	WASHER
8	1	E-CLIP
9	1	RING
10	1	WASHER
11	1	O-RING
12	1	WASHER
13	1	SPRING
14	1	FUEL SCREW
15	1	O-RING
16	1	SPRING
17	1	DIAPHRAGM
18	1	FLOAT VALVE ASSY 2.0
19	1	SCREW
20	1	O-RING
21	1	SCREW, DRAIN
22	1	SCREW, FLOAT PIN
23	4	SCREW, BOWL
24	1	GASKET, BOWL

MK-BSR32-46

1999-2010 Suzuki GZ 250



**REPLACEMENT JET NOTE

Due to varying model requirements, this kit does not include main jets or pilot jets

If needed, refer to the following

Mikuni Part numbers when acquiring these jets:

Main Jet: N102221-XXXX

Pilot Jet: N1224103-XXXX