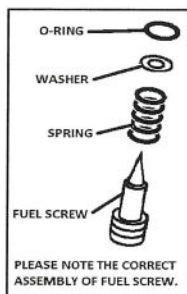
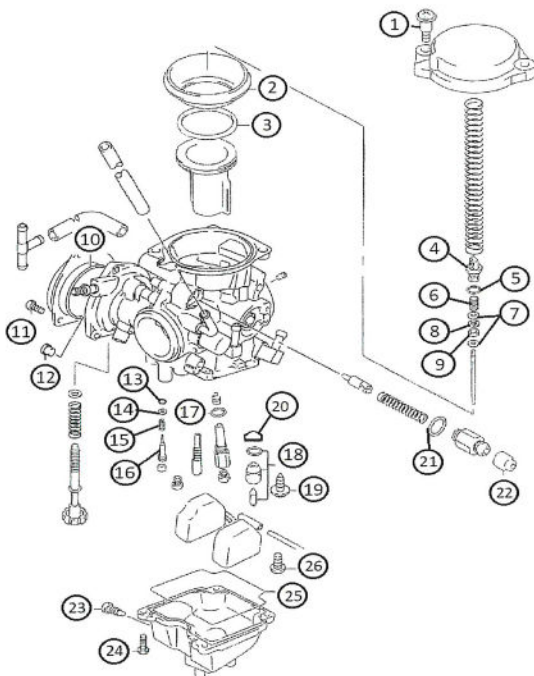


ITEM	QTY	DESCRIPTION
1	2	SCREW, TOP CAP
2	1	DIAPHRAGM
3	1	RING
4	1	HOLDER
5	1	O-RING
6	1	SPRING
7	2	WASHER
8	1	E-CLIP
9	1	RING
10	1	O-RING
11	3	SCREW, COVER
12	1	GUIDE
13	1	O-RING
14	1	WASHER
15	1	SPRING
16	1	FUEL SCREW
17	1	O-RING
18	1	FLOAT VALVE ASSY 1.5
19	1	SCREW
20	1	FILTER
21	1	O-RING
22	1	CAP
23	1	SCREW, DRAIN
24	4	SCREW, BOWL
25	1	O-RING, BOWL
26	1	SCREW

## MK-BSR29-4

2000-2003 Suzuki LT-F 300F King Quad 4WD



### \*\*REPLACEMENT JET NOTE

Due to varying model requirements, this kit does not include main jets or pilot jets. If needed, refer to the following Mikuni Part numbers when acquiring these jets:

Main Jet: N102221-XXXX

Pilot Jet: N224103-XXXX