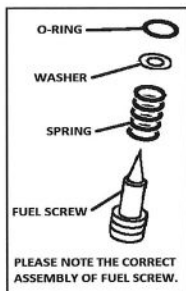
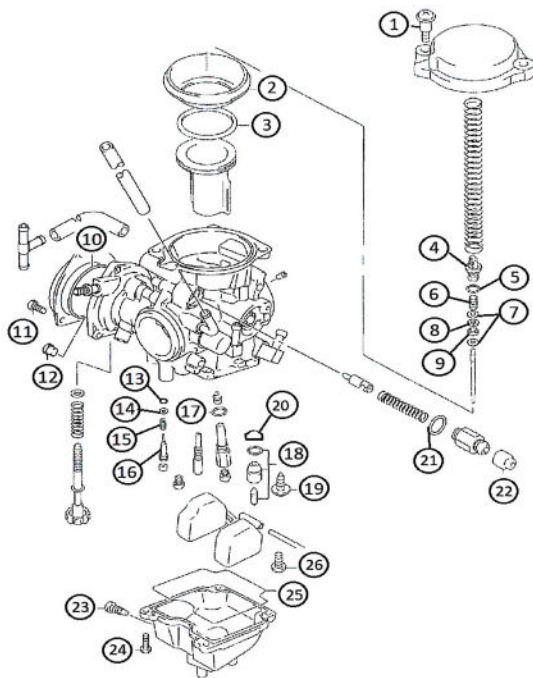


| ITEM | QTY | DESCRIPTION |
|------|-----|----------------------|
| 1 | 2 | SCREW, TOP CAP |
| 2 | 1 | DIAPHRAGM |
| 3 | 1 | RING |
| 4 | 1 | HOLDER |
| 5 | 1 | O-RING |
| 6 | 1 | SPRING |
| 7 | 2 | WASHER |
| 8 | 1 | E-CLIP |
| 9 | 1 | RING |
| 10 | 1 | O-RING |
| 11 | 3 | SCREW, COVER |
| 12 | 1 | GUIDE |
| 13 | 1 | O-RING |
| 14 | 1 | WASHER |
| 15 | 1 | SPRING |
| 16 | 1 | FUEL SCREW |
| 17 | 1 | O-RING |
| 18 | 1 | FLOAT VALVE ASSY 1.5 |
| 19 | 1 | SCREW |
| 20 | 1 | FILTER |
| 21 | 1 | O-RING |
| 22 | 1 | CAP |
| 23 | 1 | SCREW, DRAIN |
| 24 | 4 | SCREW, BOWL |
| 25 | 1 | O-RING, BOWL |
| 26 | 1 | SCREW |

MK-BSR29-1

2000-2002 Suzuki LT-F 250 Quadrunner



**REPLACEMENT JET NOTE

Due to varying model requirements, this kit does not include main jets or pilot jets. If needed, refer to the following Mikuni Part numbers when acquiring these jets:

Main Jet: N102221-XXXX

Pilot Jet: N224103-XXXX