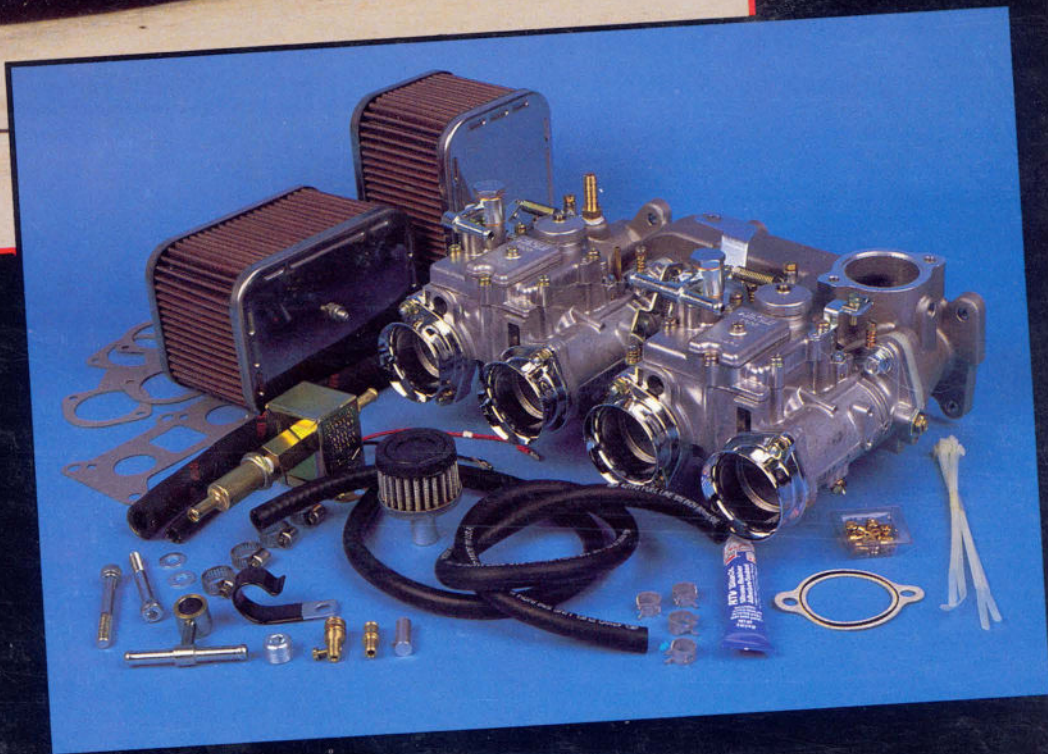


MIKUNI

AUTOMOTIVE CARBURETOR and PRODUCTS CATALOG

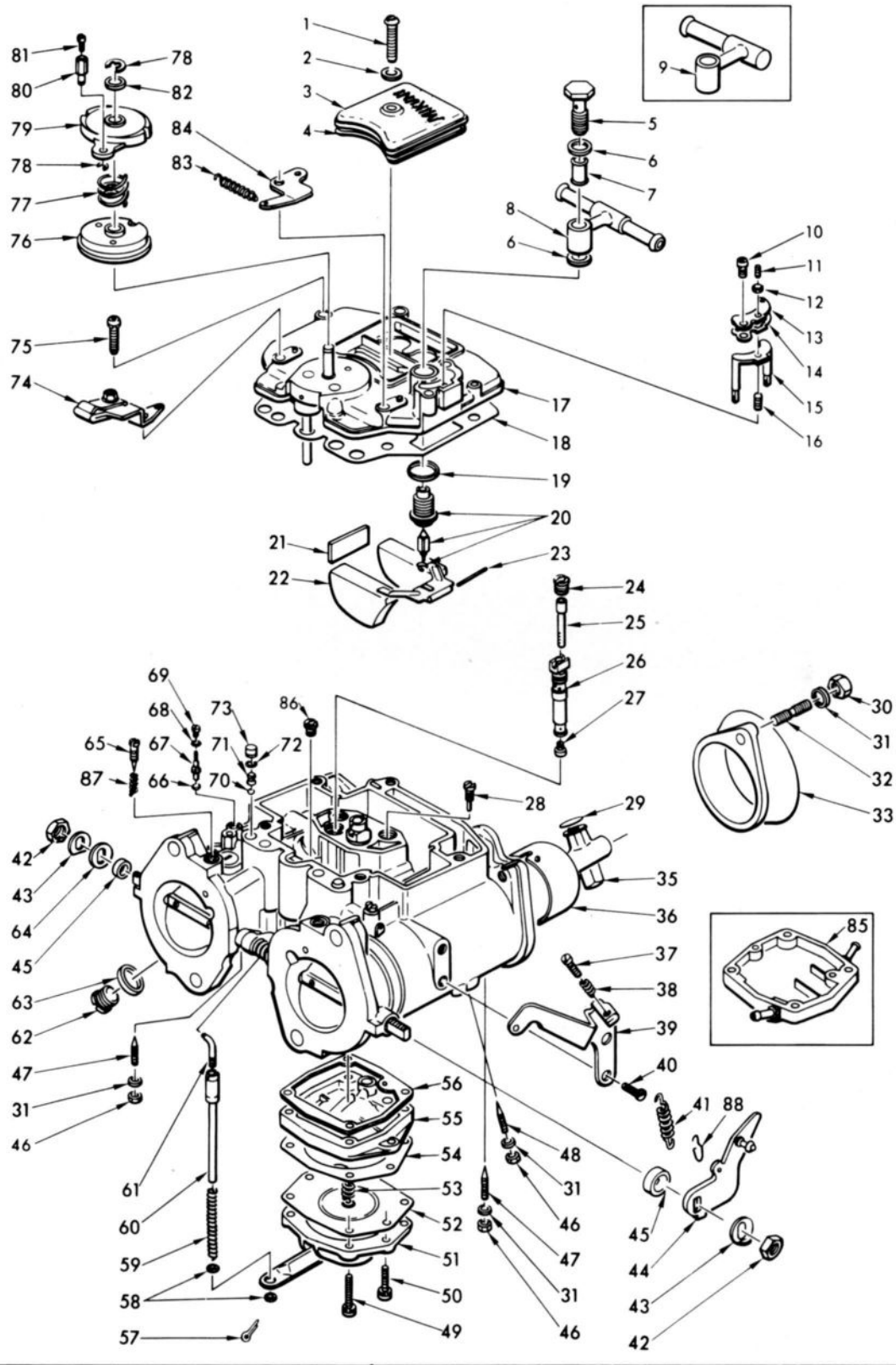


PERFORMANCE STARTS HERE . . .

Exploded View

40PHH

44PHH



Carburetor Replacement Parts

Quantities shown apply to (2) carburetors.

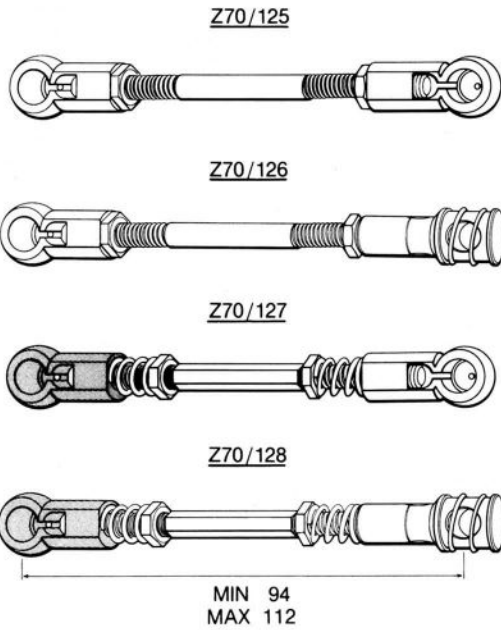
Parts List 40 PHH 44 PHH

NO.	PART NO.	DESCRIPTION	40PHH 97, 98	44PHH 41, 42
1	N115,050	SCREW, Jet Chamber Cover		2
	N115,106	SCREW, Jet Chamber Cover	2	
2	BVZ23/40	WASHER	2	2
3	N115,014	COVER, Jet Chamber		2
	N115,102	COVER, Jet Chamber	2	
4	N107,018	GASKET, Jet Chamber Cover		2
	N115,103	GASKET, Jet Chamber Cover	2	
5	N101,023	BANJO BOLT	2	2
6	N101,080	WASHER	4	4
7	N101,092	FILTER ASSEMBLY	2	2
8	N115,028	FUEL PIPE ASSEMBLY "T"		1
	N121,016	FUEL PIPE ASSEMBLY "T"	1	
9	N115,033	FUEL PIPE ASSEMBLY 90°		1
	N121,017	FUEL PIPE ASSEMBLY 90°	1	
10	CW2-0512	SCREW	4	4
11	N115,005	FLOAT ADJUSTING SCREW	2	2
12	N101,260	NUT	2	2
13	N115,009	PLATE	2	2
14	N115,010	GASKET	2	2
15	N115,016	ARM ASSEMBLY	2	2
16	N115,015	SPRING	2	2
17	N115,403	FLOAT CHAMBER COVER ASS'Y		2
	N115,100	FLOAT CHAMBER COVER ASS'Y	2	
18	N115,013	GASKET, Float Chamber Cover		2
	N121,019	GASKET, Float Chamber Cover	2	
19	N114,011	WASHER, Needle Valve	2	2
20	N115,037	NEEDLE VALVE ASSEMBLY	2	2
21	N115,018	PLATE		2
22	N115,011	FLOAT ASSEMBLY	2	2
23	BD28/44	PIN, Float	2	2
24	B42/56	JET, MAIN AIR	4	
	B42/55	JET, MAIN AIR		4
25	N101,190	MAIN BLEED PIPE	4	
26	N101,188	JET BLOCK ASSEMBLY	4	
	N101,253	JET BLOCK ASSEMBLY		4
27	N100,604	MAIN JET	4	4
28	N101,043	PILOT JET	4	4
29	N101,019	GASKET, Small Venturi		4
	N121,118	GASKET, Small Venturi	4	
30	N1=106	NUT	8	8
31	W4-06	WASHER	16	16
32	N101,147	STUD BOLT	8	
	T3-0616	STUD BOLT		8
33	N121,156	AIR FUNNEL (L = 25)	4	
	N101,240	AIR FUNNEL (L = 50)		4
35	N121,106	VENTURI, SMALL	4	
	N101,205	VENTURI, SMALL		4
36	N121,015	VENTURI, LARGE (I.D. = 32)	4	
	N107,203	VENTURI, LARGE (I.D. = 34)		4
37	N101,176	SCREW, Throttle Adjusting	2	
	N115,053	SCREW, Throttle Adjusting		2
38	4/148	SPRING	2	
	N115,057	SPRING		2
39	N107,073	BRACKET, Throttle Stop (early)	2	2
	N121,153	BRACKET, Throttle Stop (late)	2	2
40	N107,026	SCREW	4	4
41	N107,112	SPRING, Throttle Return	2	2
42	BDC36/35	NUT	4	4
43	B42/75	WASHER	4	4

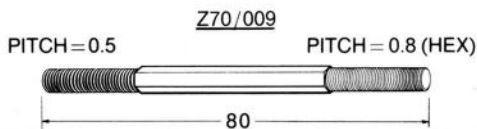
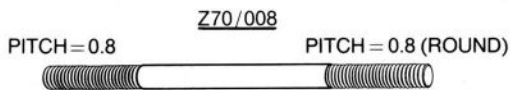
NO.	PART NO.	DESCRIPTION	40PHH 97, 98	44PHH 41, 42
44	N107,071	THROTTLE LEVER ASSEMBLY		2
	N115,104	THROTTLE LEVER ASSEMBLY	2	
45	BDC36/325	SEAL	8	8
46	N3-06	NUT	8	8
47	N107,173	SCREW, Venturi Set	4	
48	N107,174	SCREW, Venturi Set	4	4
	N107,784	SCREW, Venturi Set		4
49	CW2-0422	SCREW	8	
	CW2-0435	SCREW		8
50	CW2-0416	SCREW	4	4
51	N101,067	PUMP COVER ASSEMBLY	2	2
52	N107,030	DIAPHRAGM ASSEMBLY	2	2
53	N101,056	PUMP SPRING	2	2
54	N107,048	GASKET, Pump Cover	2	2
55	N102,219	PUMP BODY ASSEMBLY		2
	N121,067	PUMP BODY ASSEMBLY	2	
56	N107,012	GASKET, Pump Body	2	4
57	Y-1006	COTTER PIN	2	2
58	VM15/252	WASHER	4	
	BV26/32	WASHER		2
	RFT/40	WASHER		4
59	N101,030	SPRING, Pump Rod	2	2
60	N102,220	ROD, Pump	2	
	N107,044	ROD, Pump		2
61	N107,831	ROD, Connecting		2
	N121,140	ROD, Connecting	2	
62	N101,097	PLUG SCREW		4
	N121,024	PLUG SCREW	4	
63	BD34/44	WASHER		4
64	N107,106	COLLAR	2	2
65	N101,181	PILOT SCREW		4
	N110,266	PILOT SCREW	4	
66	N102,065	GASKET, Pump Nozzle	4	4
67	N102,202	PUMP NOZZLE		4
	N121,033	PUMP NOZZLE	4	
68	BVZ23/18	O-RING	4	4
69	N102,026	PLUG SCREW	4	4
70	N110,081	BALL	4	4
71	N115,060	WEIGHT, Pump		4
	N121,035	WEIGHT, Pump	4	
72	B21/156	O-RING		4
73	N102,064	PUMP PLUG		4
74	N107,134	BRACKET ASSEMBLY	1	1
75	CW2-0525	SCREW	10	10
76	N107,118	STARTER DISC	2	
	N107,247	STARTER DISC		2
77	N101,063	SPRING, Starter Disc	2	2
78	BSW28/69	SNAP RING	4	4
79	N101,083	STARTER COVER	2	2
80	N107,019	TERMINAL	2	2
81	B2 - 0508	BOLT	2	2
82	M10/59	WASHER	2	2
83	B30/61	SPRING, Starter Return	2	2
84	N115,067	BRACKET, Starter	2	2
85	N107,176	COOLING BODY ASSEMBLY		2
86	N102/221	STARTER JET	2	
87	N110,209	SPRING	2	
	4/148	SPRING		4
88	N121,154	SPRING DAMPER	2	2

Kit Replacement Parts (For reference only - no longer available)

ADJUSTABLE LINKAGE ROD



ROD THREAD M5



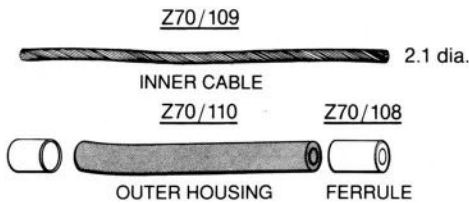
JOINT



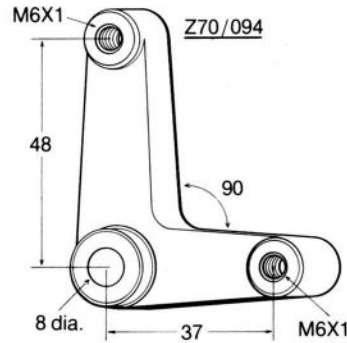
Z70/013

SPRING
(Sold separately)

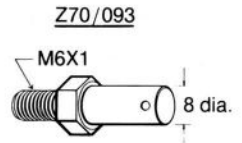
CABLE



LINK

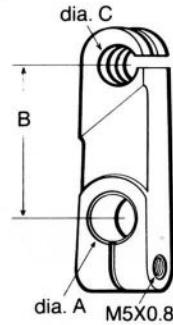


PIVOT PIN

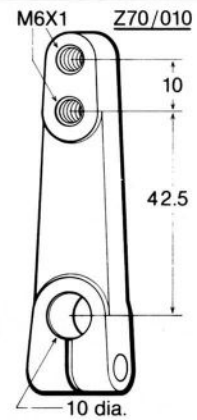


CABLE LEVER

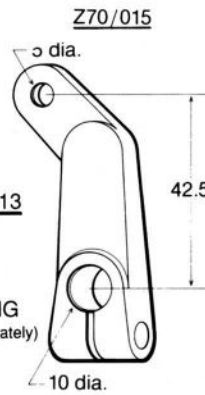
	A dia.	B	C dia.
Z70/049	10 dia.	33.5	7 dia.
Z70/027	8.2 dia.	40	8.2 dia.



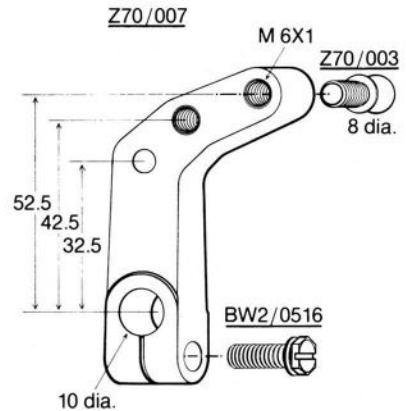
LINK LEVER



END LEVER



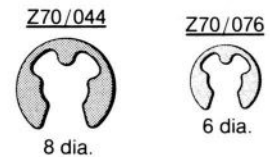
LINK LEVER



BUSHING (TEFLON)


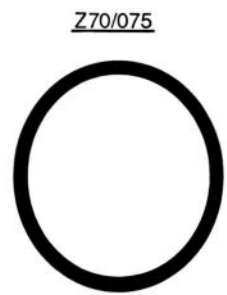
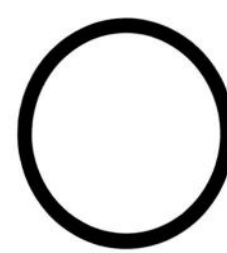
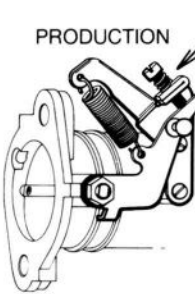
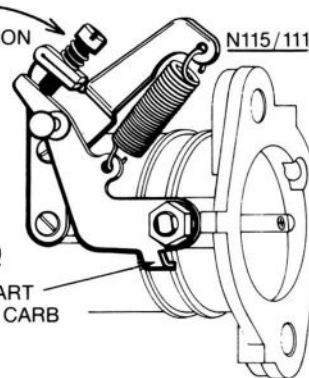



E-RING



ALL MEASUREMENTS IN MILLIMETERS UNLESS OTHERWISE NOTED.

Kit Replacement Parts - Gasket Kits

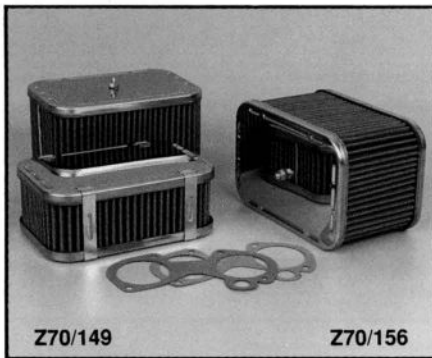
REDUCER JOINT			INSULATOR	O-RING
	<u>Z70/088</u> 8 dia.	<u>Z70/100</u> 6 dia.	<u>Z70/050</u>	
		<u>Z70/114</u> 8.5 dia.		
	9.5 dia.	8 dia.		
		13 dia.		
MATERIAL-BRASS				
THROTTLE LEVER & BRACKET			FUEL HOSE	
				
PRODUCTION	OPTION			
				I.D = 5/16"
				O.D = 9/16"
				SAE STANDARD J30R1

Gasket Kits

(1) 40PHH-97, 98		
KIT PART NUMBER: Z70-1040		
KIT COMPONENTS		
PART NO.	DESCRIPTION	QTY.
N115.103	GASKET, Jet Chamber Cover	1
N121.118	GASKET, Small Venturi	2
N115.010	GASKET, Float Arm Assy.	1
N114.011	WASHER, Needle Valve	1
N101.080	WASHER, Fuel Joint	2
N107.012	GASKET, Pump Body	1
N107.048	PACKING, Pump Cover	1
Y-1006	COTTER PIN	1
N102.065	GASKET, Pump Nozzle	2
BVZ23/18	O-RING, Accelerator Pump	2
N121.019	GASKET, Float Chamber	1
BDC36/325	SEAL, Throttle Shaft	4

(2) 44PHH-41, 42		
KIT PART NUMBER: Z70-1044		
KIT COMPONENTS		
PART NO.	DESCRIPTION	QTY.
N115.010	GASKET, Float Arm Assy.	1
N115.013	GASKET, Float Chamber	1
BVZ23/18	O-RING, Accelerator Pump	2
N114.011	WASHER, Needle Valve	1
N101.080	WASHER, Fuel Joint	2
N107.018	GASKET, Jet Chamber Cover	1
Y-1006	COTTER PIN	1
N107.012	GASKET, Pump Body	2
N102.065	GASKET, Pump Nozzle	2
N101.019	GASKET, Small Venturi	2
N107.048	GASKET, Pump Cover	1
B21/156	O-RING, Pump Weight	2
BDC36/325	SEAL, Throttle Shaft	4

ACCESSORIES



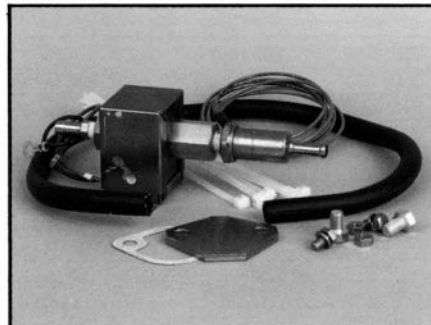
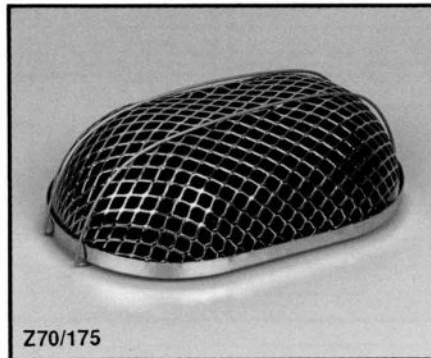
Air Filters

Mikuni air filters are designed to solve your air filtration needs in an efficient, attractive manner. Our chrome mesh filter features a flame-resistant, washable, polyurethane foam element. Our box filters feature K&N pre-oiled, washable cotton gauze element. Necessary mounting hardware and gaskets are included.

Z70/149 Air Filter, 2 1/4" element

Z70/156 Air Filter, 4" element

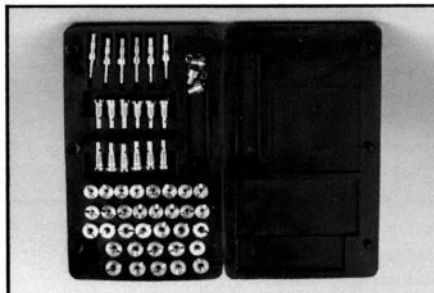
Z70/175 Air Filter-Chrome Mesh



Electric Fuel Pump Kit

These kits feature a low pressure, high volume, solid state electric fuel pump which is completely compatible and recommended for all Mikuni PHH kit installations. Kit comes complete with all necessary hardware and fittings.

Z60-54400 Electric Fuel Pump Kit



Jetting Kits

Although all of our carburetor kits are pre-jetted at the factory, many of our customers have made engine modifications and now require jet changes. Each of these kits contains a range of jets to allow fine tuning of our carburetors in the field.

Z70/161 Jetting Kit, 40PHH, 4 cyl.

Contains: 4 ea. #135, 145, 155 Main Jets
4 ea. #160, 200, 230 Main Air Jets
4 ea. #55 and #60 Pilot Jets
4 ea. #45 Pump Nozzles
4 ea. #Y-1006 Cotter Pins
4 ea. #N102.065 Pump Nozzle Gaskets

Z70/162 Jetting Kit, 40PHH, 6 cyl.

Contains: 6 ea. (same parts as Z70/161)

Z70/163 Jetting Kit, 44PHH, 4 cyl.

Contains: 4 ea. #135, 140, 145 Main Jets
4 ea. #180 and #220 Main Air Jets
4 ea. #50, 52.5, 55 Pilot Jets
4 ea. #45, 50 Pump Nozzles
4 ea. #N102.065 Pump Nozzle Gaskets
4 ea. #Y-1006 Cotter Pins

Z70/164 Jetting kit, 44PHH, 6 cyl.

Contains: 6 ea. (same parts as Z70/163)

Z70/220 Jet Board

(Handy Jet Carry Case)-Sold separately.



Fuel Pressure Regulator

This patented regulator raises the fuel pressure for power and lowers fuel pressure to 1.5 psi for idle, cruising and stopping. The result is increase in performance, increase in fuel economy and helps cure flooding in off road situations. Used by professional racers in off road, tracks, and on the street in motorhomes and pickups.

Z60-1002 Fuel Pressure Regulator- Model #1140 with pressure range from 1.5 psi to 4 psi.



PHH Carburetor Service Manual

A complete service guide to Mikuni PHH carburetors. Included are chapters on carburetor types and features, the carburetors' various tuning features and how they function, carburetor mounting and adjustment, overhaul and maintenance, as well as tuning. Also included are exploded drawings and complete parts and jetting listing. The PHH manual is a must for anyone working with Mikuni PHH carburetors.

Mikuni PHH Carburetor Manual



Gasket and Rebuild Kits

Everything to perform maintenance or rebuild sidedraft Mikuni automotive carburetors.

Z70-1040 Gasket Kit 40PHH

Z70-1044 Gasket Kit 44PHH

Z70-1144 Rebuild Kit for O.E.M. Mikuni on Datsun. All Engines.

Z70-1002 Rebuild Kit for O.E.M. Mikuni on Toyota 2TG or 18 RG Engine.