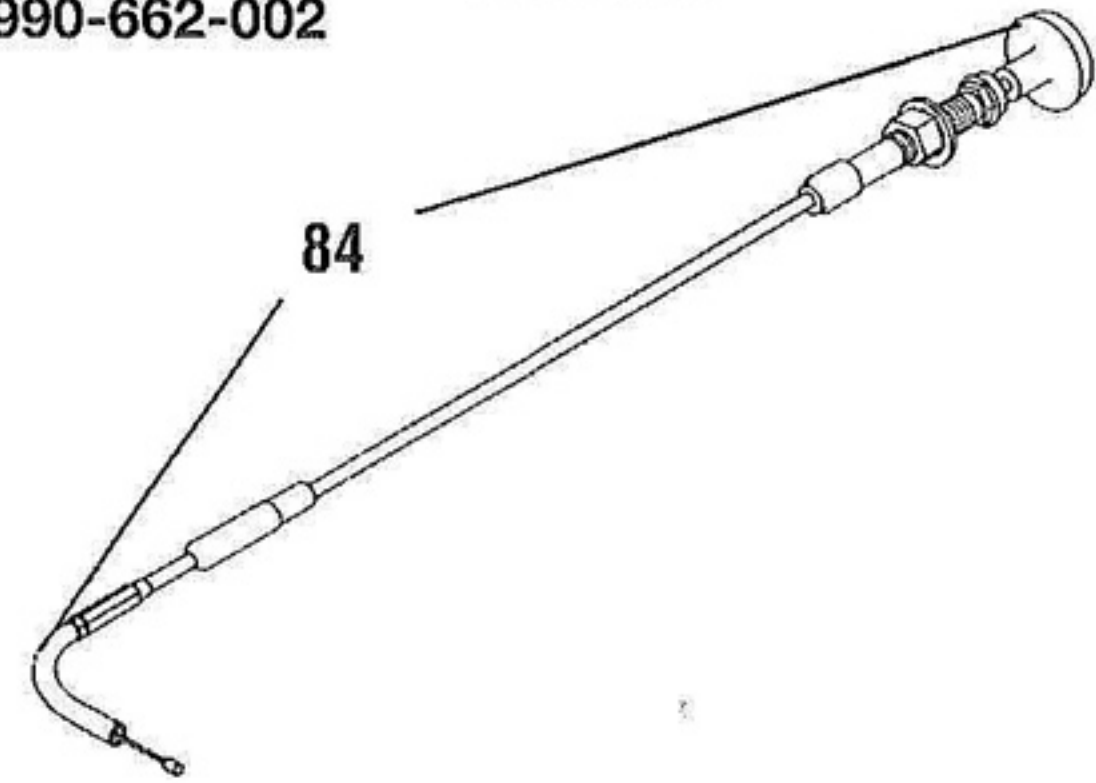
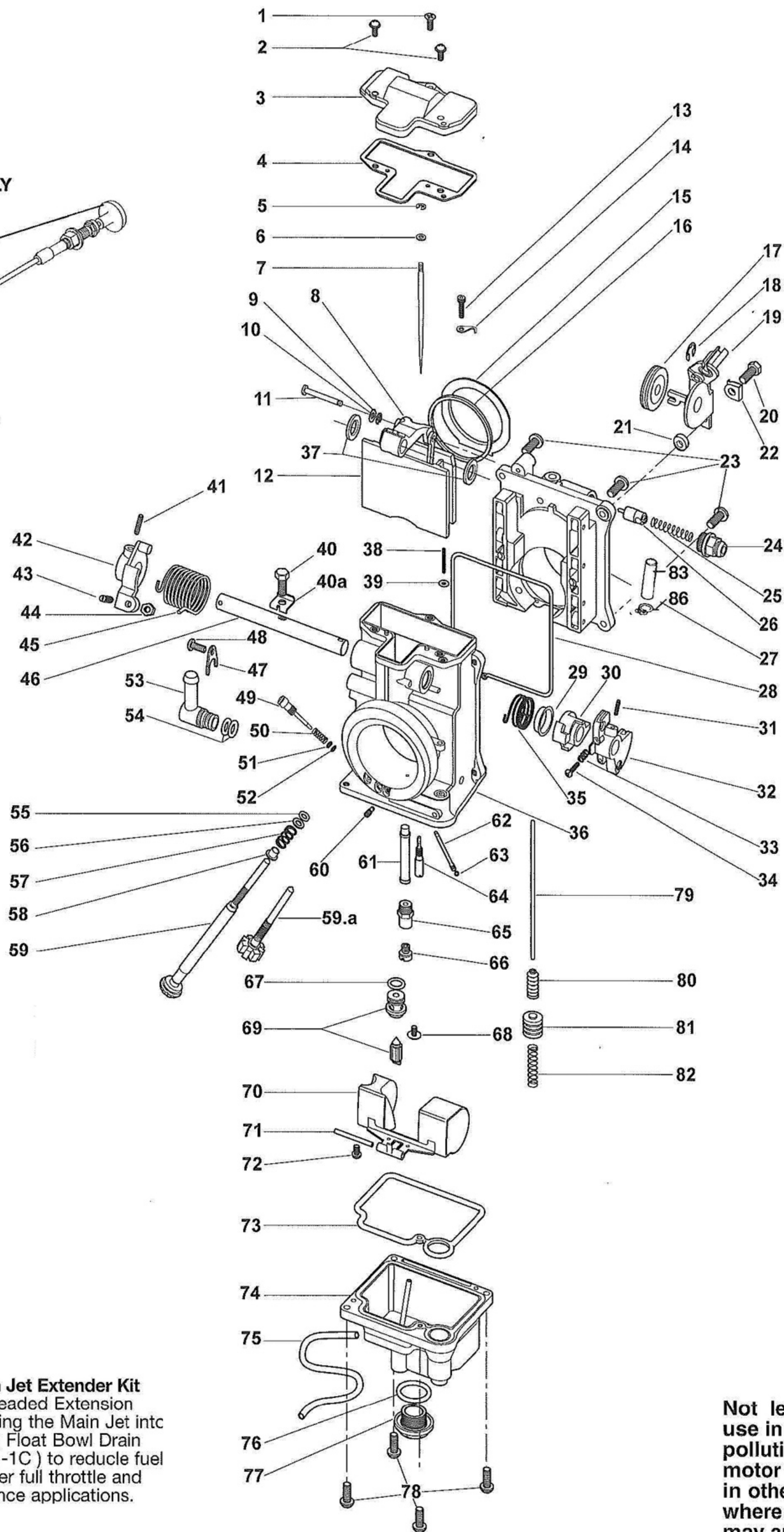


**84 CHOKE CABLE ASSEMBLY**  
990-662-002



**85 Choke Pull Assembly**  
TM29/31



**KHS-034 Main Jet Extender Kit**  
Includes a Threaded Extension Tube for lowering the Main Jet into a deeper Long Float Bowl Drain Plug (TM32/41-1C) to reduce fuel starvation under full throttle and high performance applications.

Not legal for sale or use in California on pollution controlled motor vehicles, or in other states where similar laws may apply.

—  
er  
er  
—