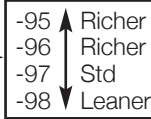
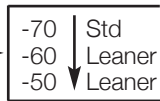


HSR42/45/48 Parts List

#	PART NO.	DESCRIPTION
1.	C5=0410-B	Screw, Top Cover (HSR42/45)
1a.	KHS-028/05	Screw, Top Cover (HSR48)
2.	CW2=0414-B	Screw, Top Cover (HSR42/45/48)
3.	776-39005	Top Cover (42/45)
3a.	HS42/081	Top Cover (HSR48)
4.	TM42/04	Gasket, Top Cover
5.	BS32/126	E-Ring, Jet Needle
6.	826-03002	Washer, Jet Needle
7.	J8-8DDY01-97	Jet Needle (42)
7a.	J8-8CFY02-97	Jet Needle (45)
7b.	J8-8CFY15-97	Jet Needle (48)
8.	TM42/03	Lever, T.V. (42/45)
8a.	TM42/08-1A	Lever, T.V. (HSR48)
9.	B401/56	E-Ring, Link Lever
10.	B401/10	Packing, Link Lever
11.	834-23041	Pin, Link Lever
12.	TM42/08-3.0	Throttle Valve (Slide)
13.	739-13002	Screw, Needle Retainer
14.	TM42/16	Clip, Needle Retainer
15.	TM42/13	Sealing Ring, T.V. (42/45)
15a.	TM48/04	Sealing Ring, T.V. (48)
16.	TM42/10	Seal, Throttle Valve
17.	925-98006	Pulley, Cable Bracket
18.	53974	E-Ring, Cable Bracket
19.	TM42/51	Bracket Assiy, Cable
19a.	TM42/53	Bracket Assiy, Sportster
20.	B3=0520-B	Bolt, Bracket
21.	VM28/204	Spacer, Bracket
22.	TM42/38	Plate, Lock Tab
23.	C2=0514-B	Screw
24.	640-12001	Starter Nut, Choke
25.	VM14/241	Spring, Starter Plunger
26.	N189.192	Starter Plunger
27.	TM42/06	Body (HSR42/45)
27a.	TM48/02	Body (HSR48)
28.	616-94029	Seal, Spigot Body
29.	925-19011	Ring (Steel)
30.	TM42/43	Lever, A/P
31.	N138.019	Pin, Throttle Lever
32.	TM42/48	Lever, Throttle
33.	M12F/46-BB	Spring, A/P
34.	MC-0316-B	Screw, A/P
35.	TM42/47	Spring, A/P
36.	TM42SS1/01-0	Mixing Body (42/45)
36a.	TM48SS1/01-0	Mixing Body (48)
37.	B36/95	Packing, Shaft (Plastic)
38.	TM42/36	Adjusting Screw, A/P
39.	B30/205	O-Ring, A/P Screw
40.	TM40/89	Bolt
40a.	TM42/17	Plate, Lock Tab for Shaft
41.	BN38/43	Pin, Return Lever
42.	TM42/46	Lever, Return
43.	B30/1069	Adjusting Screw, Throttle
44.	N3=04	Nut, Throttle Stop
45.	TM42/19	Spring, Throttle Return
46.	700-15012	Shaft, Throttle
47.	TM42/15	Plate, Fuel Joint Retainer
48.	C2=0410	Screw, Fuel Joint
49.	604-26014	Screw, Pilot Air
49a.	VM20/584	Optional Short Screw, Pilot Air
50.	N133.206	Spring, Pilot Air
51.	VM12/205	Washer, Pilot Air



52.	N133.037	O-Ring, Pilot Air
53.	TM40/27	Fuel Joint
54.	KV/10	O-Ring, Fuel Joint
55.	B30/398	Packing, Idle Adjuster
56.	VM22/138	Washer, Idle Adjuster
57.	730-09018	Spring, Idle Adjuster
58.	925-15001	Ring, Idle Adjuster
59.	TM42/32	Idle Adjuster (Long)
59a.	990-605-065	Idle Adjuster (Short)
60.	BS30/97-00	Air Jet (Blank)
61.	784-430000-Y-6	Needle Jet (723)
62.	TM42/11-70	Nozzle, Accel. Pump
63.	N124.063	O-Ring, A/P
64.	VM28/486-25	Pilot Jet (Sportster - 20)
65.	TM42/12	Extender, Main Jet (42/45)
65a.	TM42/12-1A	Extender, Main Jet (48)
66.	N100.604-160	Main Jet (45-175, 48-190)
67.	616-33003	O-Ring N.V.
68.	VM13/216	Screw, N.V. Retainer
69.	786-27001-4.2	Needle Valve Assbly (42/45)
69a.	786-27002-1A-4.5	Needle Valve Assbly (48)
70.	859-32027	Float Assiy
71.	BV26/22	Pin, Float
72.	C2=0410	Screw, Float Pin
73.	616-94028	Packing, Float Bowl
74.	TM42/05	Float, Chamber Body
75.	N122.028	Hose, Overflow
76.	VM28/254	O-Ring, Drain Plug
77.	TM32/41	Drain plug (42/45)
77a.	TM32/41-1D	Drain plug (48)
78.	C2=0412-B	Screw, Flt Bowl, short
79.	TM36/44-1A	Rod, A/P
80.	TM36/64	Boot, A/P Rod
81.	TM36/60	Plunger, A/P
82.	VM14SC13/89	Spring, A/P
83.	N198.063	Rubber Cap, Purge Port
84.	990-662-002	Choke Cable
85.	TM29/31	Pull Choke Assembly
86.	BVK28/128	Clip, Rubber Cap



Alternate Parts

Jet Needles:

HSR42	HSR45	HSR48	
J8-8DDY01-95	J8-8CFY02-95	J8-8CFY15-95	Richer
J8-8DDY01-96	J8-8CFY02-96	J8-8CFY15-96	Richer
J8-8DDY01-97	J8-8CFY02-97	J8-8CFY15-97	Std
J8-8DDY01-98	J8-8CFY02-98	J8-8CFY15-98	Leaner

Accelerator Pump Nozzles:

TM42/11-70	Std
TM42/11-60	Leaner
TM42/11-50	Leaner

Needle Valve Assemblies:

786-27002-1A-4.5	Std (HSR48)
786-27001-4.2	Std (HSR42/45)
786-27001-3.5	Smaller
786-27001-2.3	Pressure feed only

Rebuild Kit:

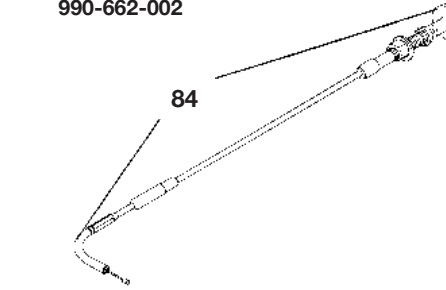
HSR42/45:	KHS-016
HSR48:	KHS-031

NOTES:

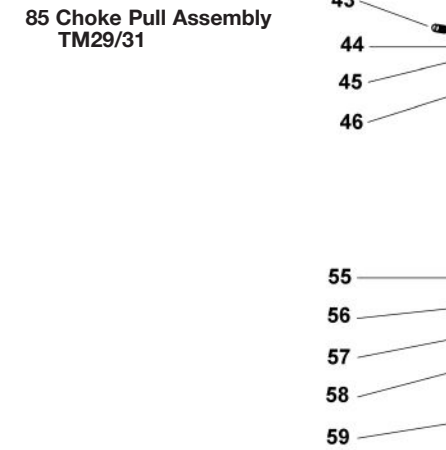
1. Lined through Part Numbers are not available.
2. Parts in **Bold** are included in Rebuild Kits.

Exploded View HSR42/45/48

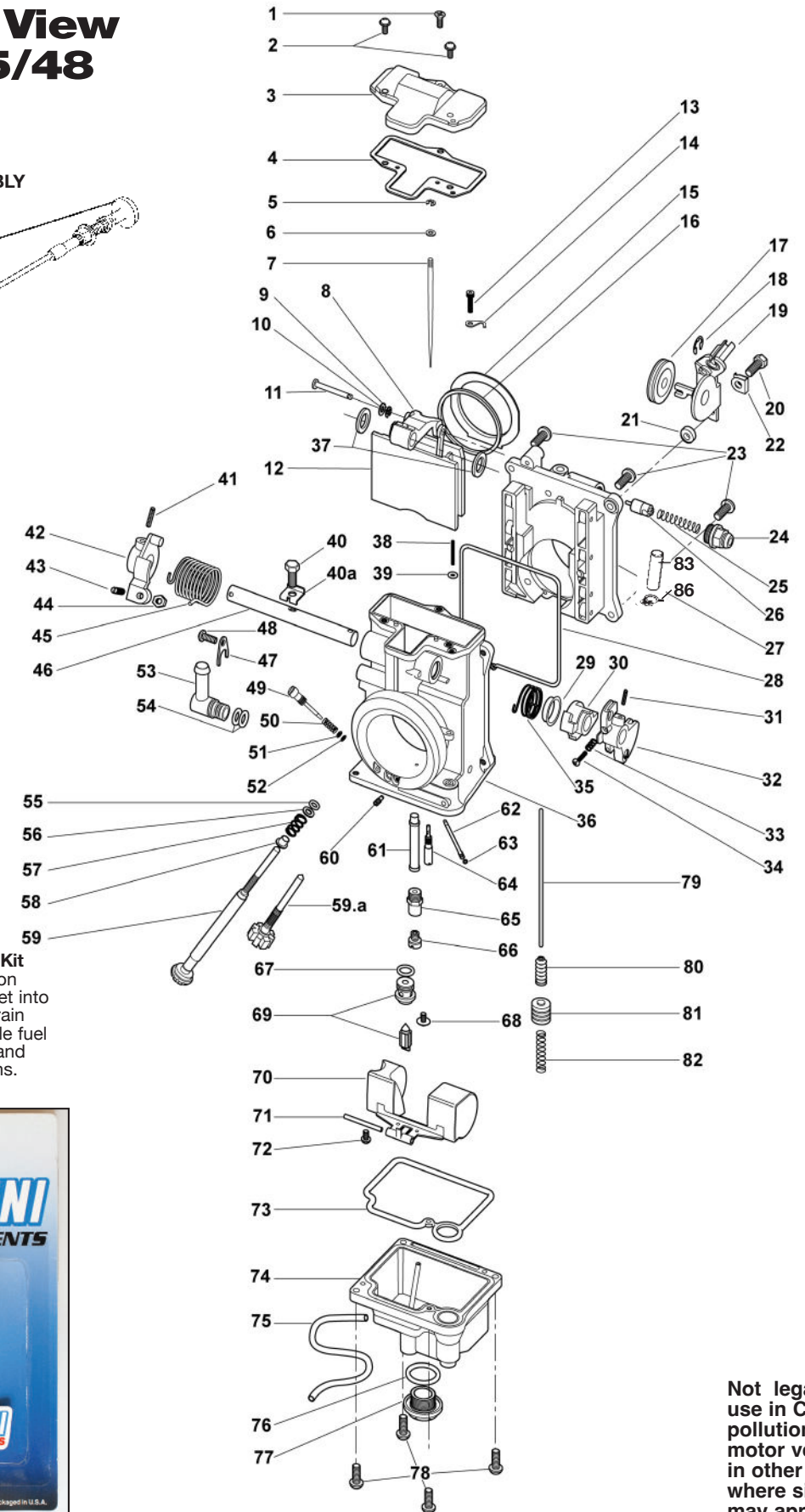
84 CHOKE CABLE ASSEMBLY
990-662-002



85 Choke Pull Assembly
TM29/31



KHS-034 Main Jet Extender Kit
Includes a Threaded Extension Tube for lowering the Main Jet into a deeper Long Float Bowl Drain Plug (TM32/41-1C) to reduce fuel starvation under full throttle and high performance applications. See listing Page 9



Not legal for sale or use in California on pollution controlled motor vehicles, or in other states where similar laws may apply.