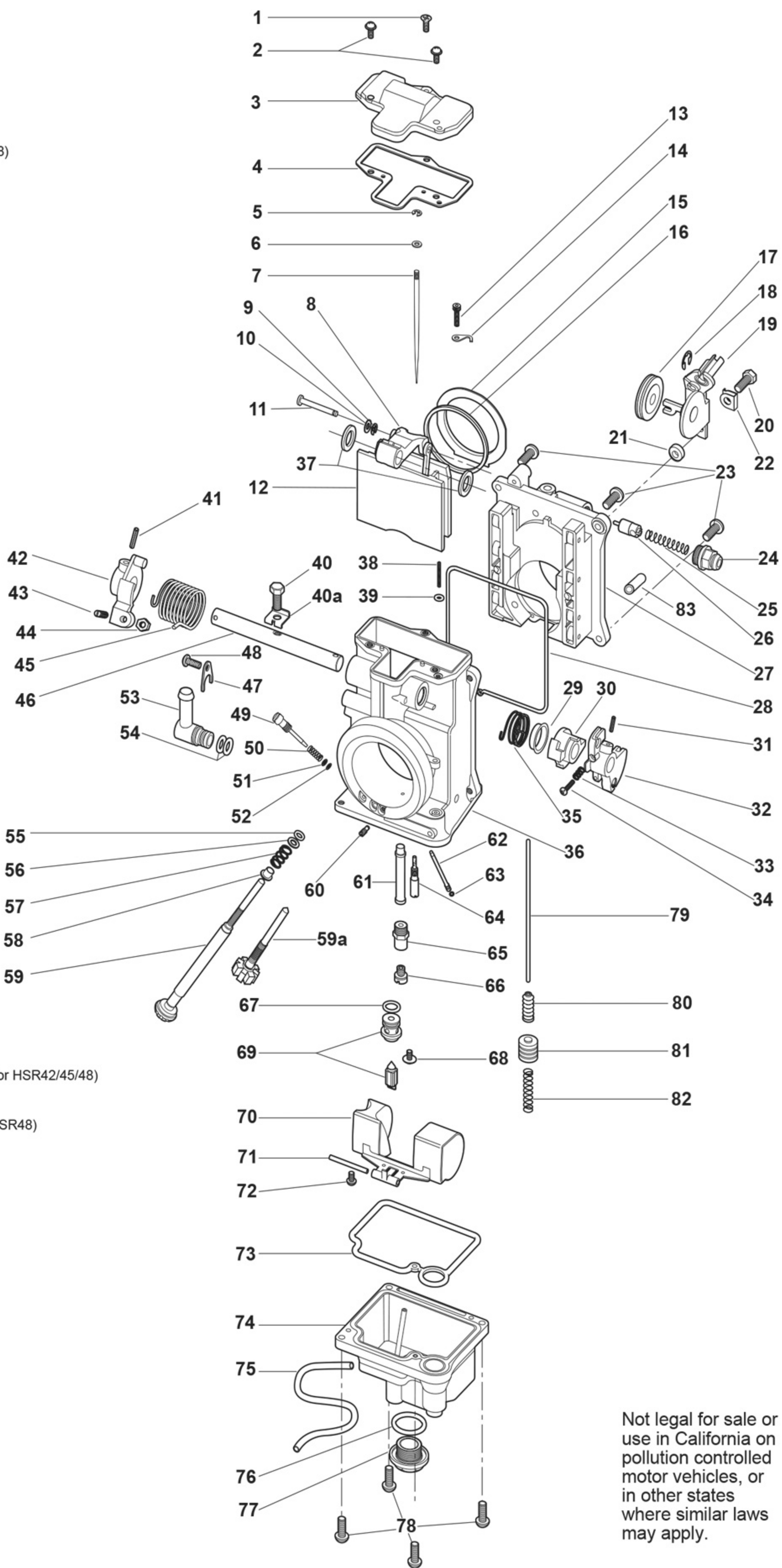


No.	PART No.	DESCRIPTION
1.	C5=0414-B	Screw, Top Cover
2.	CW2=0416-B	Screw, Top Cover (2)
3.	111-776-001	Top Cover
4.	TM42/04	Gasket, Top Cover
5.	BS32/126	E-Ring, Jet Needle
6.	826-03002	Washer, Needle Clip
7.	J8-8CFY02-	Jet Needle (HSR45/48)
8.	TM42/03	Lever, T.V.
9.	B40I/56	E-Ring
10.	B40I/10	Packing, Link Lever
11.	834-23041	Pin, Link Lever
12.	TM42/08-1A	Throttle Valve
13.	739-13002	Screw, Needle Retainer
14.	TM42/16	Clip, Needle Retainer
15.	TM48/04	Sealing Ring, T.V.
16.	TM42/10	Seal, Throttle Valve
17.	925-98006	Pulley, Cable Bracket
18.	53974	E-Ring, Cable Bracket
19.	TM42/51	Bracket Assy., Cable
20.	B3=0520-B	Bolt
21.	VM28/204	Spacer
22.	TM42/38	Plate, Lock Tab
23.	C2=0514-B	Screw
24.	640-12001	Guide Holder (Starter)
25.	VM14/241	Spring, Starter Plunger
26.	N189.192	Starter Plunger
27.	TM48/02	Body Assy., Bearing & Spigot (N/A)
28.	616-94029	Seal, Spigot Body
29.	925-19011	Ring (Steel)
30.	TM42/43	Lever
31.	N138.019	Pin, Throttle Lever
32.	TM42/48	Lever, Throttle
33.	M12F/46-BB	Spring, Accel. Pump
34.	MC-0316-B	Screw, Accel. Adjust
35.	TM42/47	Spring, Accel. Pump
36.	TM48SS1/01-0	Mixing Body Assy (N/A)
37.	B36/95	Packing, Shaft (Plastic)
38.	TM42/36	Adjusting Screw, A/P
39.	B30/205	O-Ring, A/P Screw
40.	TM42/89	Bolt
40a.	TM42/17	Lock Tab, Shaft
41.	BN38/43	Pin, A/P Lever
42.	TM42/46	Lever, Return Spring
43.	N140.409	Screw, Throttle Stop
44.	N3=04	Nut, Throttle Stop
45.	TM42/19	Spring, Throttle Return
46.	700-15012-1A	Shaft, Throttle
47.	TM42/15	Plate, Fuel Joint Retainer
48.	C2=0410-B	Screw, Fuel Joint Retainer
49.	604-26014	Screw, Pilot Air Adjusting
50.	N133.206	Spring, Pilot Air Screw
51.	VM12/205	Washer, Pilot Air Screw
52.	N133.037	O-Ring, Pilot Air Screw
53.	TM40/27	Fuel Joint
54.	KV/10	O-ring, Fuel Joint (2)
55.	B30/398	Packing, Idle Adjuster
56.	VM22/138	Washer, Idle Adjuster (steel)
57.	730-09018	Spring, Idle Adjuster
58.	925-15001	Ring, Idle Adjuster (Brass)
59.	TM42/32	Idle Adjuster Assy (Long)
59a.	990-605-065	Idle Adjuster Screw (Short)
60.	BS30/97-00	Air Jet (Blank)
61.	784-430000-Y-6	Needle Jet (723 Series)
62.	TM42/11-	Nozzle, Accelerator Pump
63.	N124.063	O-Ring, A/P Nozzle
64.	VM28/486-25	Pilot Jet
65.	TM42/12-1A	Extender, Main Jet
66.	N100.604-	Main Jet
67.	616-33003	O-Ring, N.V.
68.	VM13/216	Screw w/Washer, N.V. Retainer
69.	786-27002-1A	Needle Valve Assy. with O-ring (size: 4.5)
70.	859-32027	Float Assy
71.	BV26/22	Pin, Float
72.	C2=0410	Screw, Float Pin
73.	616-94028	Packing, Float Bowl
74.	TM42/05	Float Chamber Body
75.	N122.028	Hose, Overflow
76.	VM28/254	O-Ring, Drain Plug
77.	TM32/41-1D	Drain Plug
78.	C2=0412-B	Screw, Float Bowl (4)
79.	TM36/44-1B	Rod, A/P
80.	TM36/64	Boot, A/P Rod
81.	TM36/60	Plunger, A/P
82.	VM14SC13/89	Spring, A/P
83.	N198.063	Cap, Purge Port

-98 lean
-97 (std for HSR48)
-96
-95 rich

-50 lean
-60 (std for HSR42/45/48)
-70
-75 rich
-190 (std for HSR48)



Part Number (000-000) = no available stock

Not legal for sale or use in California on pollution controlled motor vehicles, or in other states where similar laws may apply.