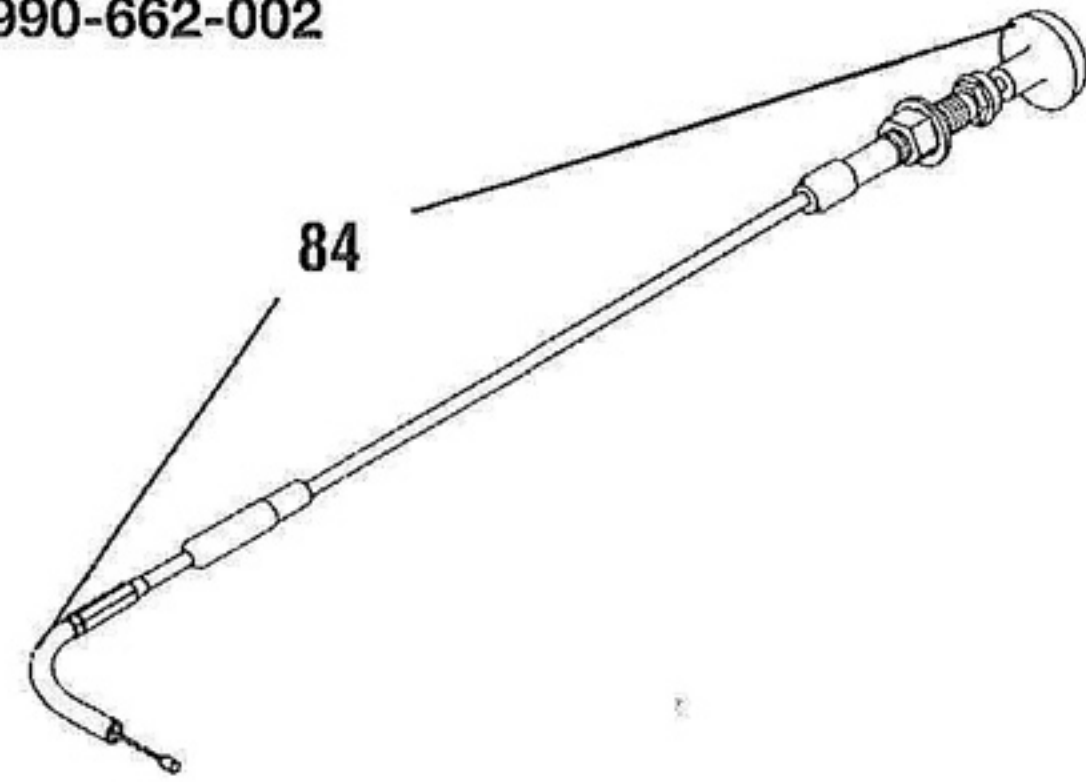
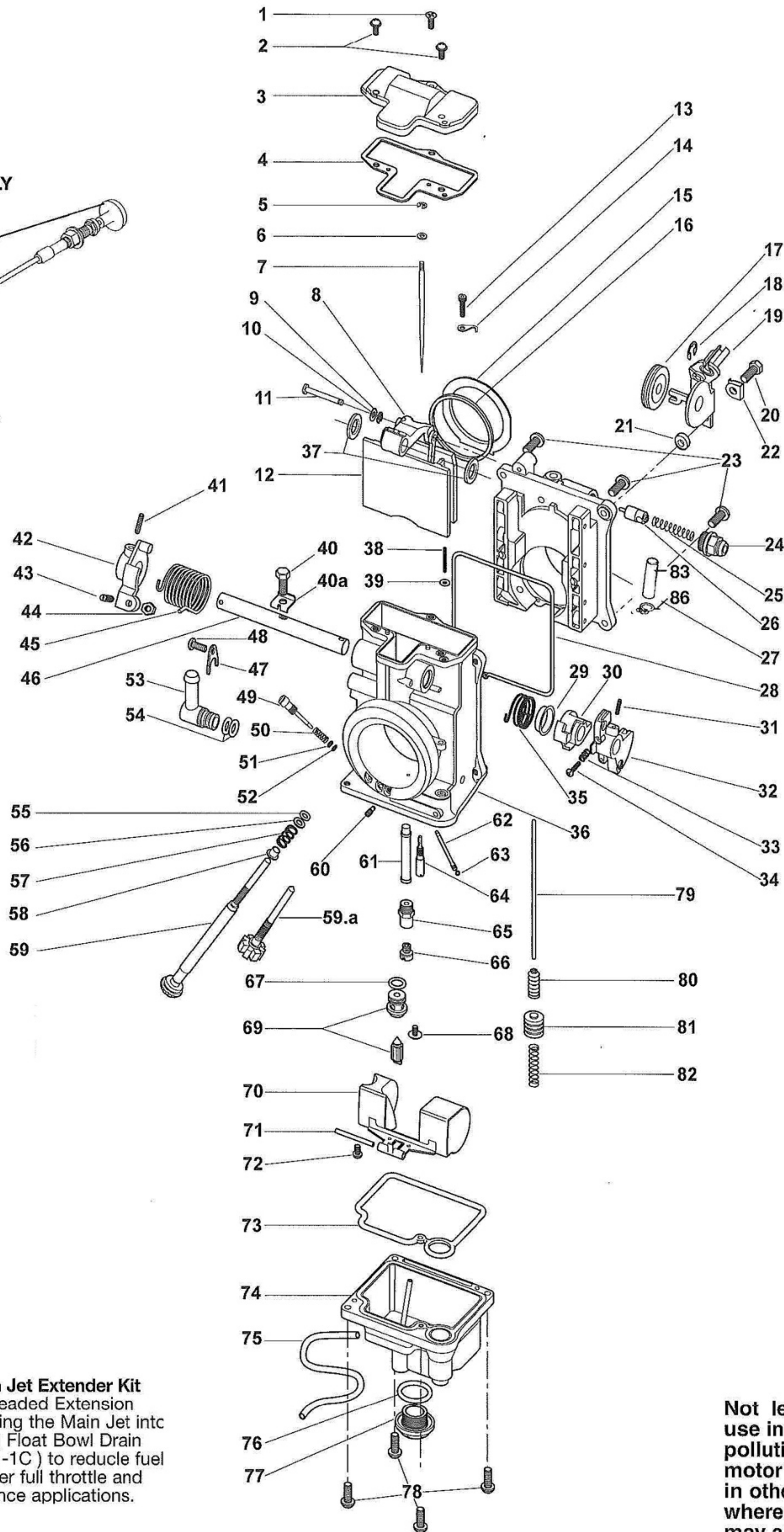


**84 CHOKE CABLE ASSEMBLY**  
990-662-002



**85 Choke Pull Assembly**  
TM29/31



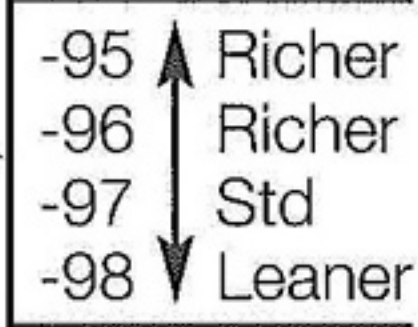
**KHS-034 Main Jet Extender Kit**  
Includes a Threaded Extension Tube for lowering the Main Jet into a deeper Long Float Bowl Drain Plug (TM32/41-1C) to reduce fuel starvation under full throttle and high performance applications.

Not legal for sale or use in California on pollution controlled motor vehicles, or in other states where similar laws may apply.

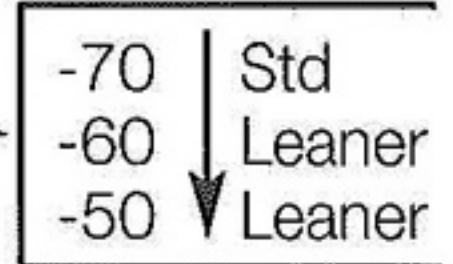
## Rebuild Kit: KHS-017

**Bold part numbers are included in kit**

#	PART NO.	DESCRIPTION
1.	C5=0410-B	Screw, Top Cover (HSR42/45)
1a.	KHS-028/05	Screw, Top Cover (HSR48)
2.	CW2=0414-B	Screw, Top Cover (HSR42/45/48)
3.	776-39005	Top Cover (42/45)
3a.	HS42/081	Top Cover (HSR48)
4.	<b>TM42/04</b>	<b>Gasket, Top Cover</b>
5.	<b>BS32/126</b>	<b>E-Ring, Jet Needle</b>
6.	<b>826-03002</b>	<b>Washer, Jet Needle</b>
7.	J8-8DDY01-97	Jet Needle (42)
7a.	J8-8CFY02-97	Jet Needle (45)
7b.	J8-8CFY15-97	Jet Needle (48)
8.	TM42/03	Lever, T.V. (42/45)
8a.	TM42/08-1A	Lever, T.V. (HSR48)
9.	B40I/56	E-Ring, Link Lever
10.	B40I/10	Packing, Link Lever
11.	834-23041	Pin, Link Lever
12.	TM42/08-3.0	Throttle Valve (Slide)
13.	739-13002	Screw, Needle Retainer
14.	TM42/16	Clip, Needle Retainer
15.	TM42/13	Sealing Ring, T.V. (42/45)
15a.	TM48/04	Sealing Ring, T.V. (48)
16.	<b>TM42/10</b>	<b>Seal, Throttle Valve</b>
17.	925-98006	Pulley, Cable Bracket
18.	53974	E-Ring, Cable Bracket
19.	TM42/51	Bracket Ass'y, Cable
19a.	TM42/53	Bracket Ass'y, Sportster
20.	B3=0520-B	Bolt, Bracket
21.	VM28/204	Spacer, Bracket
22.	TM42/38	Plate, Lock Tab
23.	C2=0514-B	Screw
24.	640-12001	Starter Nut, Choke
25.	VM14/241	Spring, Starter Plunger
26.	N189.192	Starter Plunger
27.	<del>TM42/06</del>	Body (HSR42/45)
27a.	<del>TM48/02</del>	Body (HSR48)
28.	616-94029	Seal, Spigot Body
29.	<del>925-19011</del>	Ring (Steel)
30.	TM42/43	Lever, A/P
31.	N138.019	Pin, Throttle Lever
32.	TM42/48	Lever, Throttle
33.	M12F/46-BB	Spring, A/P
34.	MC-0316-B	Screw, A/P
35.	TM42/47	Spring, A/P
36.	<del>TM42SS1/01-0</del>	Mixing Body (42/45)
36a.	<del>TM48SS1/01-</del>	Mixing Body (48)
37.	B36/95	Packing, Shaft (Plastic)
38.	TM42/36	Adjusting Screw, A/P
39.	B30/205	ORing, A/P Screw
40.	TM40/89	Bolt
40a.	TM42/17	Plate, Lock Tab for Shaft
41.	BN38/43	Pin, Return Lever
42.	TM42/46	Lever, Return
43.	B30/1069	Adjusting Screw, Throttle
44.	N3=04	Nut, Throttle Stop
45.	TM42/19	Spring, Throttle Return
46.	700-15012	Shaft, Throttle
47.	<del>TM42/15</del>	Plate, Fuel Joint Retainer
48.	C2=0410	Screw, Fuel Joint
49.	604-26014	Screw, Pilot Air
50.	N133.206	Spring, Pilot Air
51.	VM12/205	Washer, Pilot Air



52.	<b>N133.037</b>	<b>ORing, Pilot Air</b>
53.	TM40/27	Fuel Joint
54.	<b>KV/10</b>	<b>O-Ring, Fuel Joint</b>
55.	B30/398	Packing, Idle Adjuster
56.	VM22/138	Washer, Idle Adjuster
57.	730-09018	Spring, Idle Adjuster
58.	925-15001	Ring, Idle Adjuster
59.	TM42/32	Idle Adjuster (Long)
59a.	990-605-065	Idle Adjuster (Short)
60.	BS30/97-00	Air Jet (Blank)
61.	784-430000-Y-6	Needle Jet (723)
62.	TM42/11-70	Nozzle, Accel, Pump
63.	<b>N124.063</b>	<b>O-Ring, A/P</b>
64.	VM28/486-25	Pilot Jet (Sportster - 20)
65.	TM42/12	Extender, Main Jet (42/45)
65a.	TM42/12-1A	Extender, Main Jet (48)
66.	N100.604-160	Main Jet (45-175, 48-190)
67.	<b>616-33003</b>	<b>O-Ring N.V.</b>
68.	<b>VM13/216</b>	<b>Screw, N.V. Retainer</b>
69.	<b>786-27001-2.3</b>	<b>Needle Valve Assbly (42/45)</b>
69a.	<b>786-27002-1A-4.5</b>	<b>Needle Valve Assbly (48)</b>
70.	859-32027	Float Ass'y
71.	BV26/22	Pin, Float
72.	C2=0410	Screw, Float Pin
73.	<b>616-94028</b>	<b>Packing, Float Bowl</b>
74.	TM42/05	Float, Chamber Body
75.	<b>N122.028</b>	<b>Hose, Overflow</b>
76.	<b>VM28/254</b>	<b>O-Ring, Drain Plug</b>
77.	TM32/41	Drain plug (42/45)
77a.	TM32/41-1D	Drain plug (48)
78.	<b>C2=0412-B</b>	<b>Screw, Flt Bowl, short</b>
79.	TM36/44-1A	Rod, A/P
80.	<b>TM36/64</b>	<b>Boot, A/P Rod</b>
81.	TM36/60	Plunger, A/P
82.	VM14SC13/89	Spring, A/P
83.	N198.063	Rubber Cap, Purge Port
84.	990-662-002	Choke Cable
85.	TM29/31	Pull Choke Assembly
86.	BVK28/128	Clip, Rubber Cap



### Alternate Parts

#### Jet Needles:

HSR42	HSR45	HSR48	
J8-8DDY01-95	J8-8CFY02-95	J8-8CFY15-95	Richer
J8-8DDY01-96	J8-8CFY02-96	J8-8CFY15-96	Richer
J8-8DDY01-97	J8-8CFY02-97	J8-8CFY15-97	Std
J8-8DDY01-98	J8-8CFY02-98	J8-8CFY15-98	Leaner

#### Accelerator Pump Nozzles:

TM42/11-70	Std
TM42/11-60	Leaner
TM42/11-50	Leaner

#### Needle Valve Assemblies:

786-27002-1A-4.5	Std (HSR48)
786-27001-4.2	Std (HSR42/45)
786-27001-3.5	Smaller
786-27001-2.3	Pressure feed only

#### Rebuild Kit:

HSR42/45:	KHS-016
HSR48:	KHS-031

#### NOTES:

1. — Lined through Part Numbers are not available.
2. Parts in **Bold** are included in Rebuild Kits.